



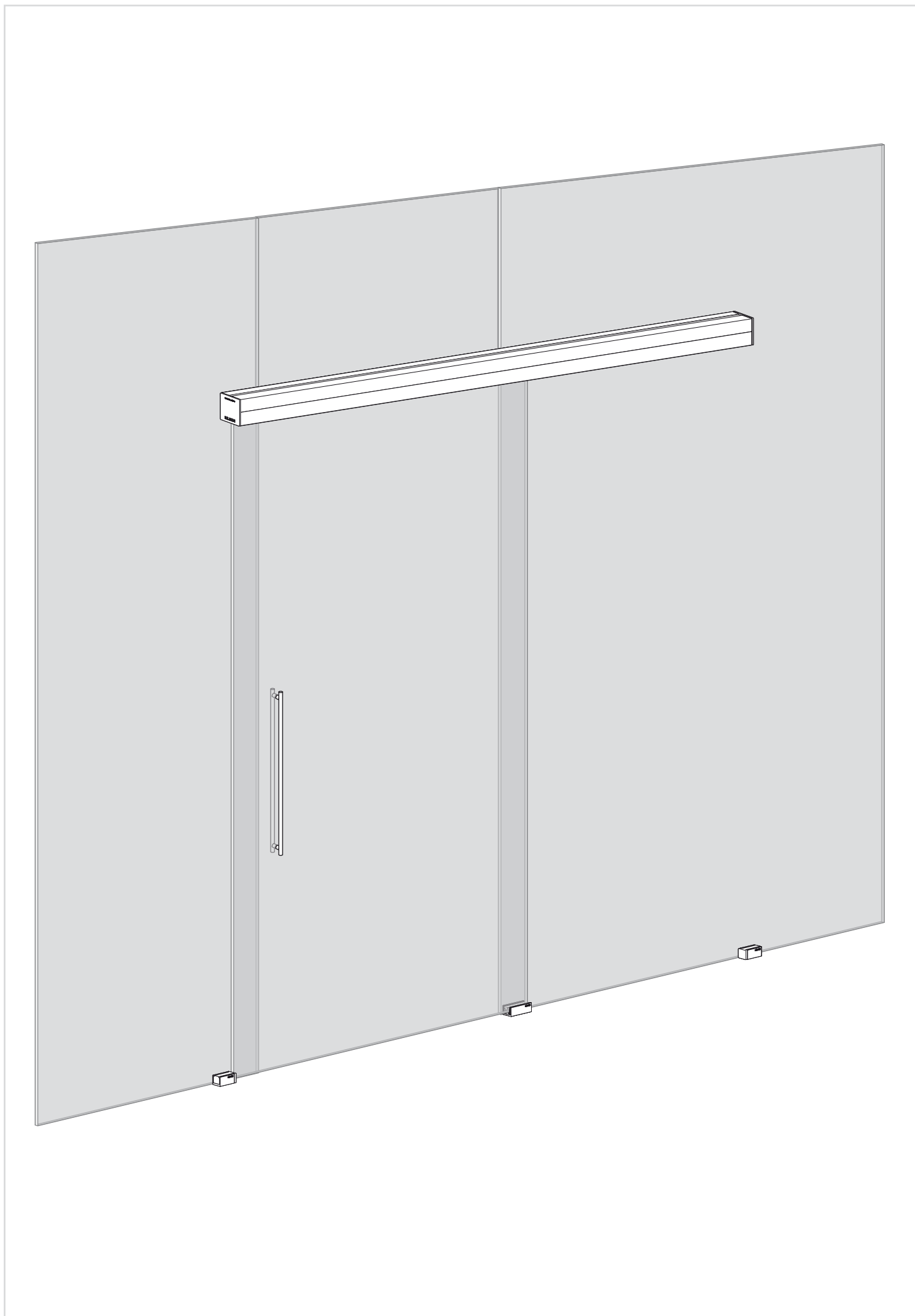
Instrucciones / Instructions / Anweisungen / Instructions

UNIKGLASS+ AIR KBS+

KLEIN[®]

		PAG.
1	IMAGEN GENERAL GENERAL VIEW	3
2	INFORMACIÓN DE SEGURIDAD SAFETY INFORMATION	4
3	HERRAMIENTAS NECESARIAS REQUIRED TOOLS	4
4	INFORMACIÓN GENERAL GENERAL INFORMATION	4
5	ELEMENTOS DE LA INSTALACIÓN ITEMS OF INSTALLATION	5
6	GAMAS DE INSTALACIÓN INSTALLATION RANGES	6
	G1 Longitud del perfil 2 m Length of the track 78 3/4"	6
	G2 Longitud del perfil 2,5 m Length of the track 98 3/8"	7
	G3 Longitud del perfil 3 m Length of the track 118 1/8"	8
7	MONTAJE PERFIL SUPERIOR UPPER TRACK MOUNTING	9
8	COLOCACIÓN DE MORDAZAS CLAMP INSTALL	10
9	COLOCACIÓN DEL GUIADOR GUIDE INSTALL	10
10	COLOCACIÓN DE LA PUERTA DOOR MOUNTING	11
11	REGULACIÓN DE LA ALTURA HEIGHT ADJUSTMENT	11
12	ANTIDESCABALGAMIENTO ANTI-JUMP	11
13	COLOCACIÓN DE LOS TOPES INFERIORES BOTTOM STOPPERS INSTALL	12
14	COLOCACIÓN DE LOS KBS+ KBS+ INSTALL	13
15	COLOCACIÓN DE LA GALERÍA VALANCE INSTALL	14
16	COLOCACIÓN DE LAS TAPAS LATERALES END CAP INSTALL	14

1 IMAGEN GENERAL / GENERAL VIEW



2 INFORMACIÓN DE SEGURIDAD / SAFETY INFORMATION

El vidrio de la puerta corredera debe cumplir con las normas:

- ASTM C1036-16 Standard Specification for Flat Glass
- ASTM C1048-12e1 Standard Specification for Heat-Strengthened and Fully Tempered Glass
- ASTM C1172-14 Standard Specification for Laminated Architectural Flat Glass

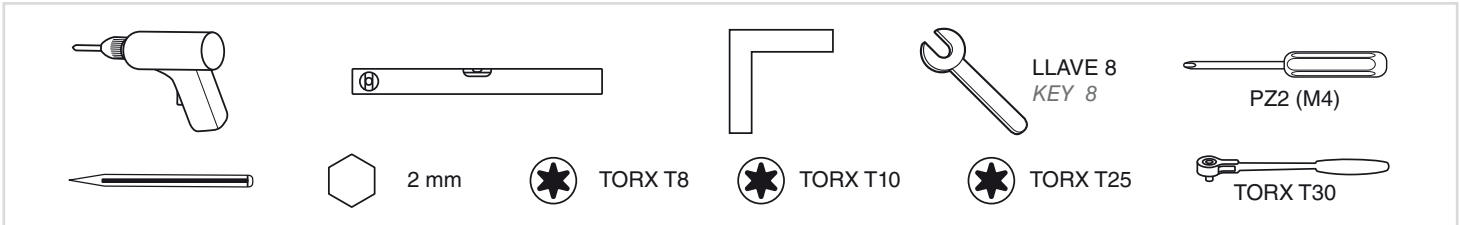
La tolerancia admitida para el vidrio de la puerta corredera en espesores de 1/2" es de 11.91mm a 12.70mm.

Sliding glass door must be in compliance with the following regulations:

- ASTM C1036-16 Standard Specification for Flat Glass
- ASTM C1048-12e1 Standard Specification for Heat-Strengthened and Fully Tempered Glass
- ASTM C1172-14 Standard Specification for Laminated Architectural Flat Glass

Acceptable 1/2" glass thickness range must be within 11.91mm and 12.70mm.

3 HERRAMIENTAS NECESARIAS / REQUIRED TOOLS

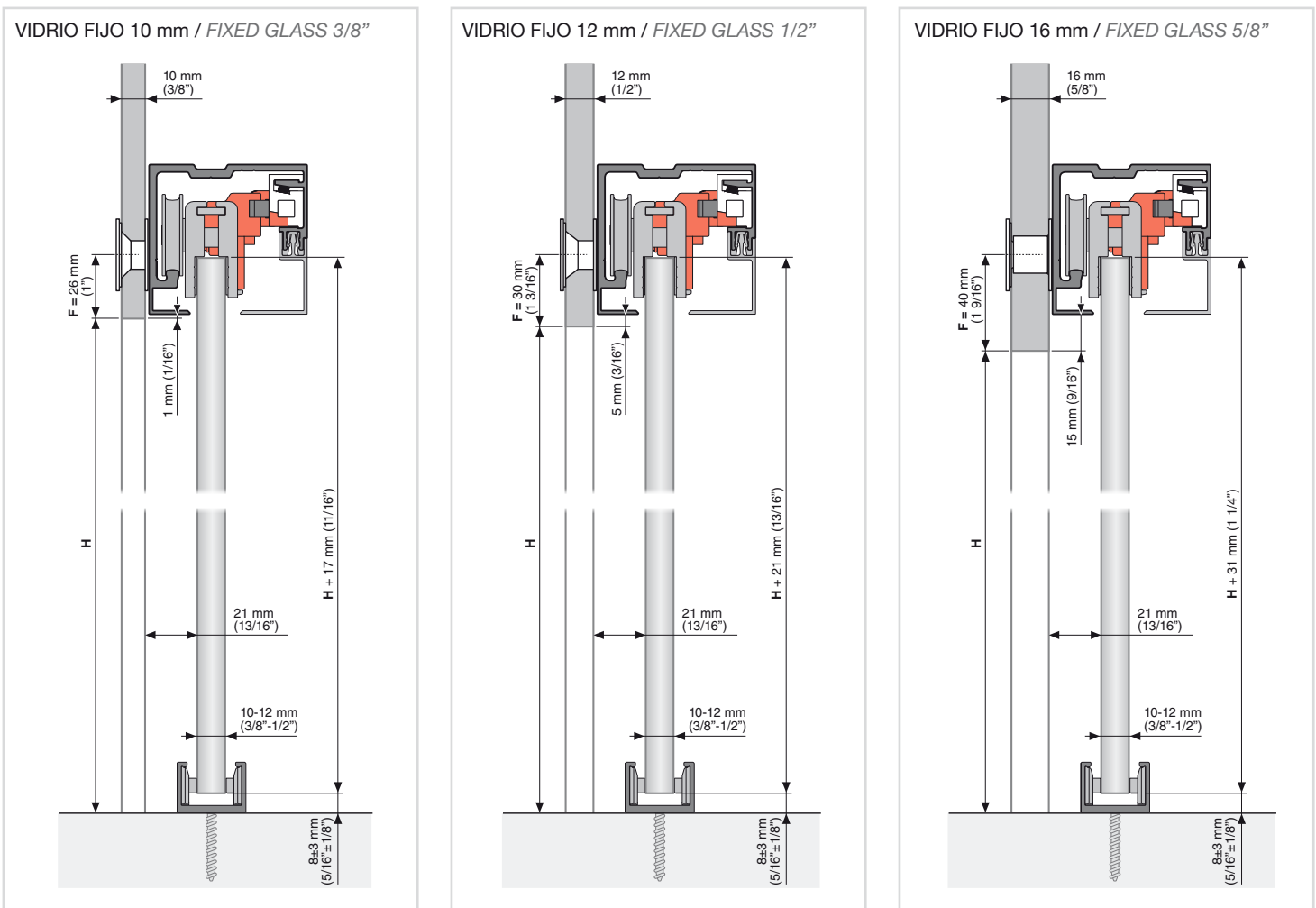


4 INFORMACIÓN GENERAL / GENERAL INFORMATION



ALTURA DEL VIDRIO / GLASS HEIGHT

Aplicar la fórmula para determinar la altura del cristal según el tipo de instalación
Apply the formula to determine the glass height according to the type of installation



5 ELEMENTOS DE LA INSTALACIÓN / ITEMS OF INSTALLATION



INST. UNIKGLASS+ AIR KBS+ KIT UNIKGLASS+ AIR KBS+

VIDRIO FIJO 10-12 mm FIXED GLASS 3/8" & 1/2"

SILVER
Ref. 8470 - G1 2 m (78 3/4")
Ref. 8471 - G2 2,5 m (98 3/8")
Ref. 8472 - G3 3 m (118 1/8")

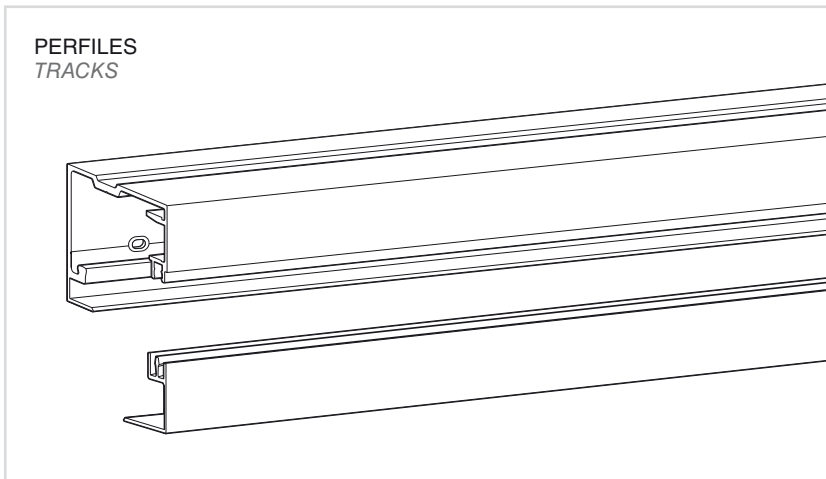
BLACK
Ref. 8410 - G1 2 m (78 3/4")
Ref. 8411 - G2 2,5 m (98 3/8")
Ref. 8412 - G3 3 m (118 1/8")

VIDRIO FIJO 16 mm FIXED GLASS 5/8"

SILVER
Ref. 8480 - G1 2 m (78 3/4")
Ref. 8481 - G2 2,5 m (98 3/8")
Ref. 8482 - G3 3 m (118 1/8")

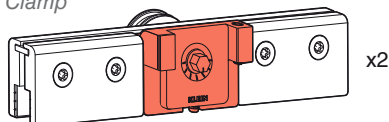
BLACK
Ref. 8420 - G1 2 m (78 3/4")
Ref. 8421 - G2 2,5 m (98 3/8")
Ref. 8422 - G3 3 m (118 1/8")

PERFILES TRACKS



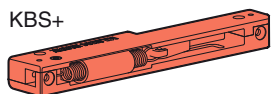
JUEGO DE ACCESORIOS SET OF ACCESSORIES

Mordaza Clamp



x2

KBS+



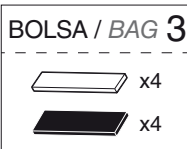
x2

Clips conexión perfiles superiores Clips for upper tracks connections



x10

Distanciadores mordaza Clamp spacers



x4

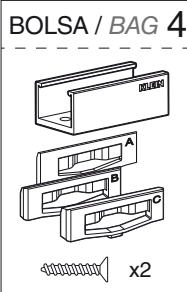
x4

Tapas laterales perfil superior End caps for upper track



x2

Guiador Guide



x2

Anclajes a Vidrio Fijo Fixed Glass Anchors



G1 2 m (78 3/4") x6
G2 2,5 m (98 3/8") x6
G3 3 m (118 1/8") x8

Tornillos Anclaje a Vidrio Fijo Screws for Fixed Glass Anchor



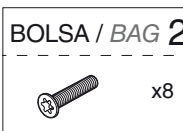
x8

Vidrio 10 mm
Glass 3/8"



x8

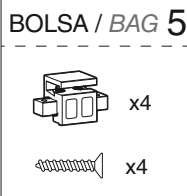
Vidrio 12 mm
Glass 1/2"



x8

Vidrio 16 mm
Glass 5/8"

Anclajes KBS+ KBS+ anchor pieces



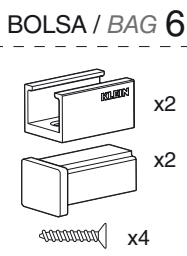
x4

x4

Instrucciones Instructions



Topes inferiores Bottom stoppers



x2

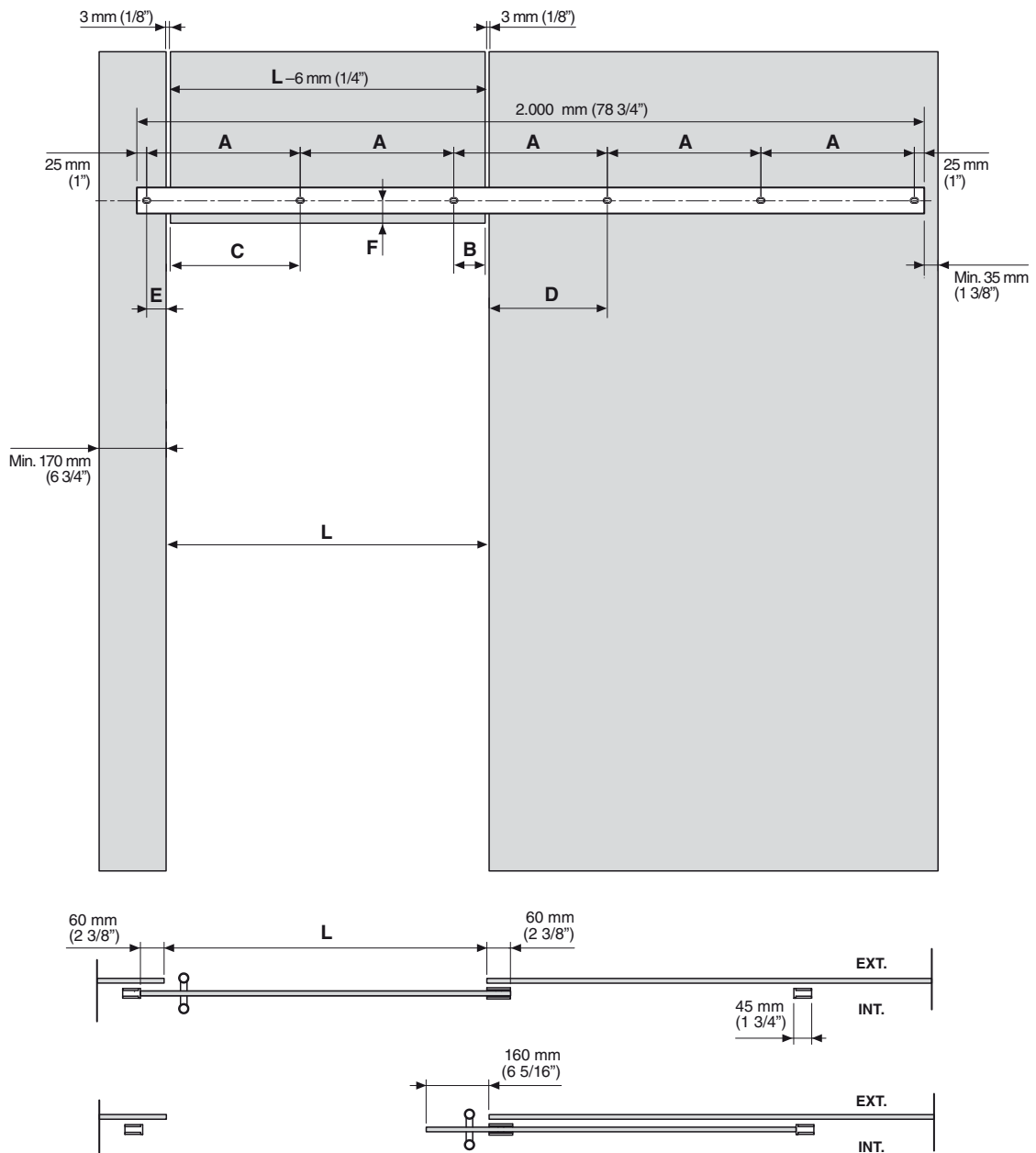
x2

x4

GAMA 1 Longitud del perfil 2 m Length of the track 78 3/4"



**NO CORTAR EL PERFIL
DO NOT CUT THE TRACK**



- A** = 390 mm (15 3/8")
- C** = 337 mm (13 9/32")
- E** = 50 mm (1 31/32")
- F** (EN APARTADO 4)
(GO TO CHAPTER 4)

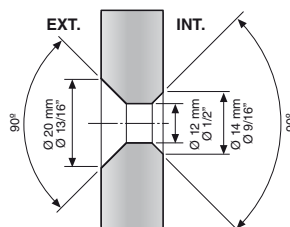


Solape mínimo de 50 mm en el guidor.
Minimum overlap of 2" at the bottom guide.

Asegurar la posición de los 2 toques inferiores.
Make sure the position of both bottom stoppers.

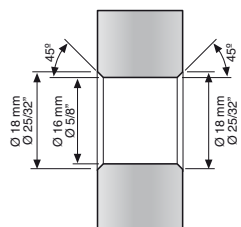
Vidrio fijo 10-12 mm Fixed glass 3/8" & 1/2"

- L**: De 820 mm hasta 970 mm
L: From (32 5/16") up to (38 3/16")
- B** = $L - 733 \text{ mm}$ (28 7/8")
- D** = 387 mm (15 1/4") - B



Vidrio fijo 16 mm Fixed glass 5/8"

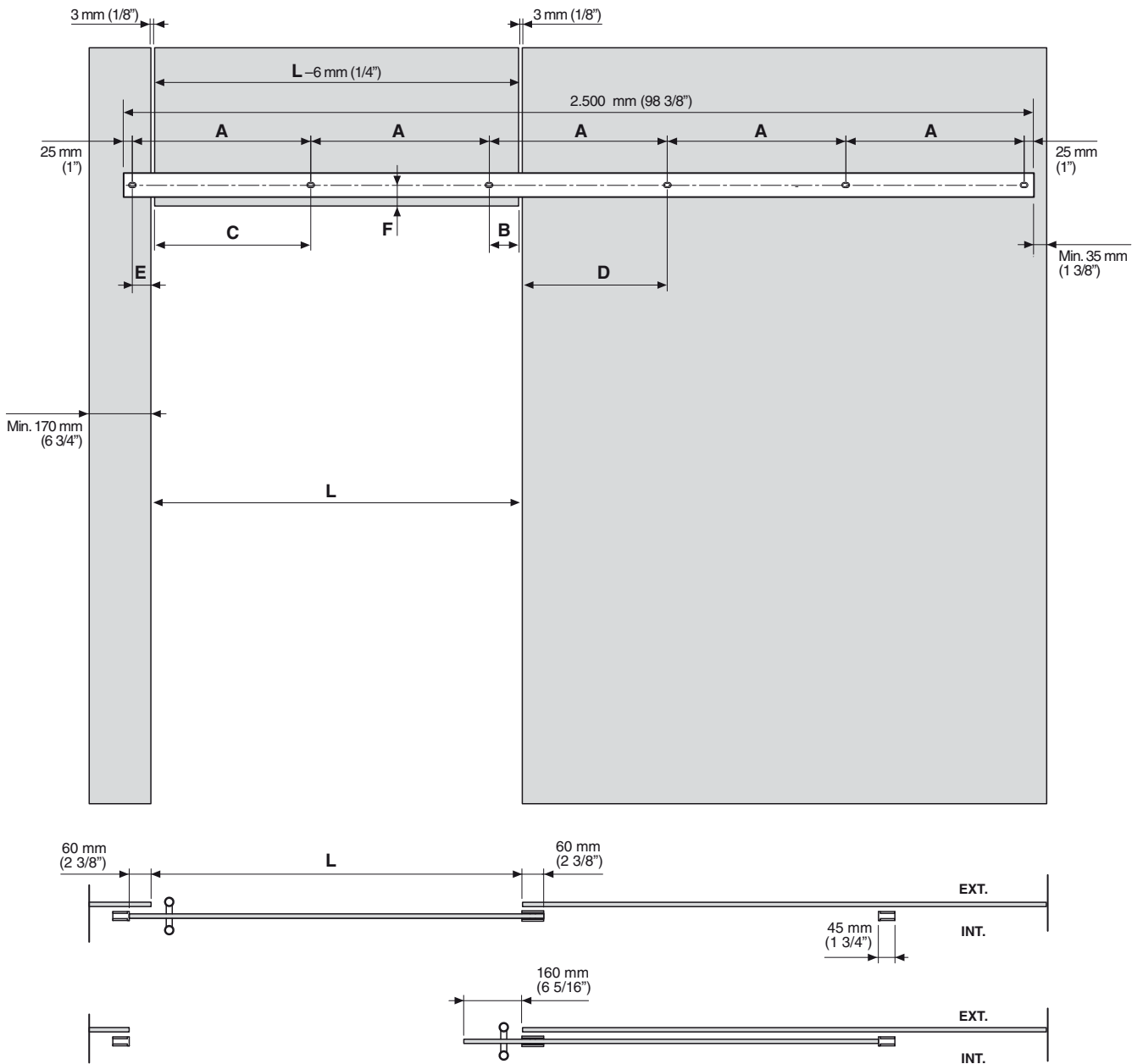
- L**: De 860 mm hasta 970 mm
L: From (33 7/8") up to (38 3/16")
- B** = $L - 733 \text{ mm}$ (28 7/8")
- D** = 387 mm (15 1/4") - B



GAMA 2 Longitud del perfil 2,5 m
Length of the track 98 3/8"



NO CORTAR EL PERFIL
DO NOT CUT THE TRACK



- A** = 490 mm (19 5/16")
- C** = 437 mm (17 7/32")
- E** = 50 mm (1 31/32")
- F** (EN APARTADO 4)
(GO TO CHAPTER 4)

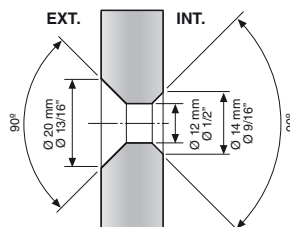


Solape mínimo de 50 mm en el guidor.
Minimum overlap of 2" at the bottom guide.

Asegurar la posición de los 2 topes inferiores.
Make sure the position of both bottom stoppers.

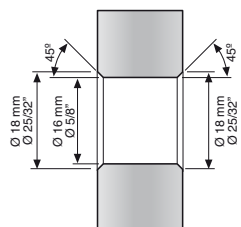
Vidrio fijo 10-12 mm
Fixed glass 3/8" & 1/2"

- L**: De 1.020 mm hasta 1.220 mm
L: From (40 3/16") up to (48")
- B** = L - 933 mm (36 3/4")
- D** = 487 mm (19 3/16") - B



Vidrio fijo 16 mm
Fixed glass 5/8"

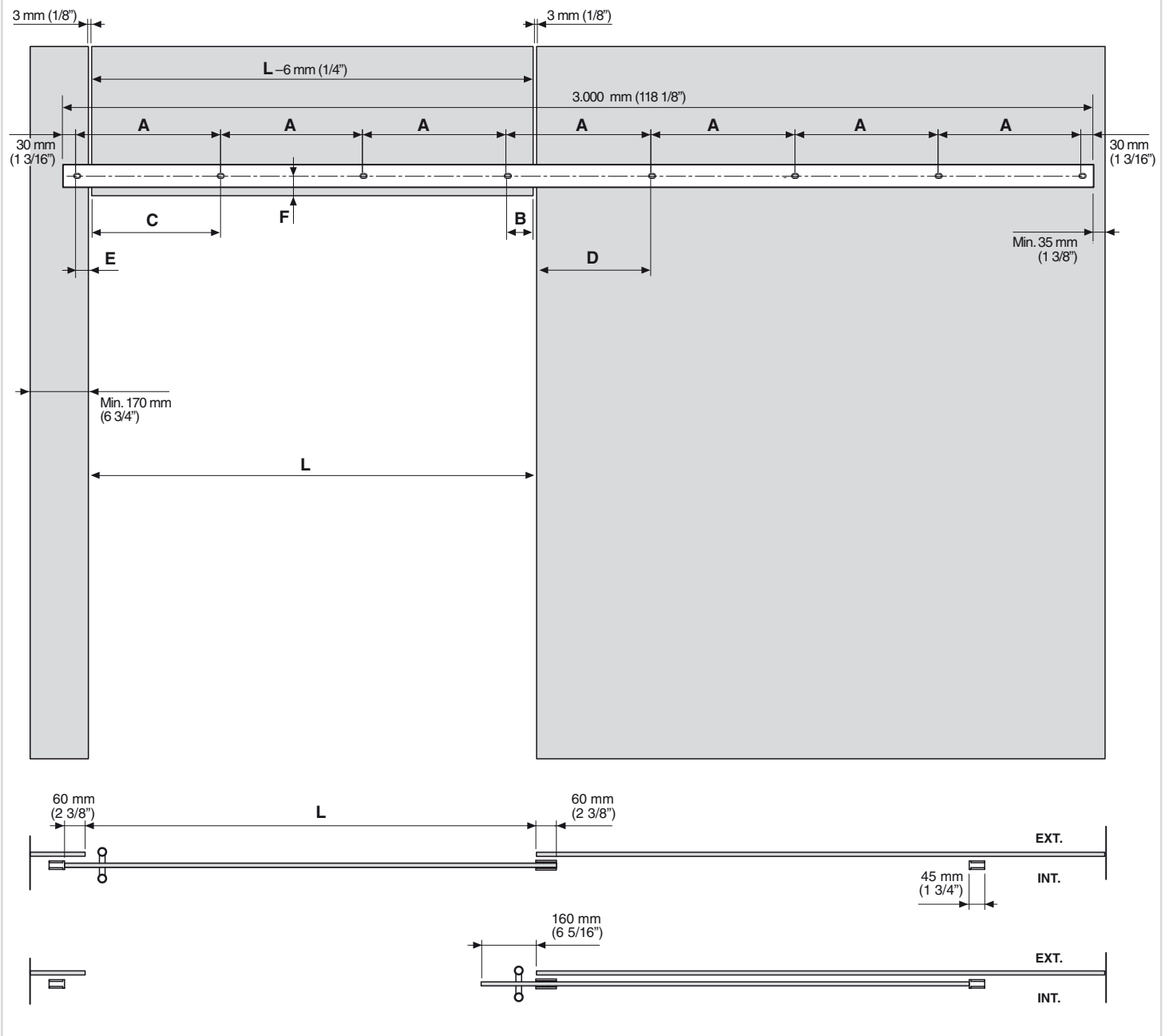
- L**: De 1.060 mm hasta 1.220 mm
L: From (41 3/4") up to (48")
- B** = L - 933 mm (36 3/4")
- D** = 487 mm (19 3/16") - B



GAMA 3 Longitud del perfil 3 m
Length of the track 118 1/8"



NO CORTAR EL PERFIL
DO NOT CUT THE TRACK



- A** = 420 mm (16 17/32")
- C** = 367 mm (14 7/16")
- E** = 50 mm (1 31/32")
- F** (EN APARTADO 4)
(GO TO CHAPTER 4)

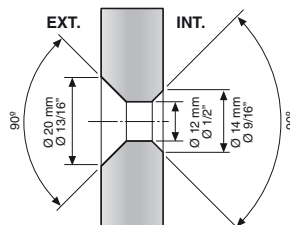


Solape mínimo de 50 mm en el guidor.
Minimum overlap of 2" at the bottom guide.

Asegurar la posición de los 2 toques inferiores.
Make sure the position of both bottom stoppers.

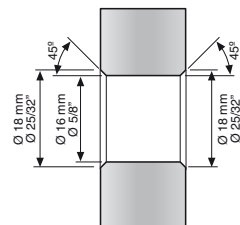
Vidrio fijo 10-12 mm
Fixed glass 3/8" & 1/2"

- L:** De 1.300 mm hasta 1.470 mm
L: From (51 3/16") up to (57 7/8")
- B** = $L - 1.213 \text{ mm}$ (47 3/4")
- D** = 417 mm (16 13/32") - B



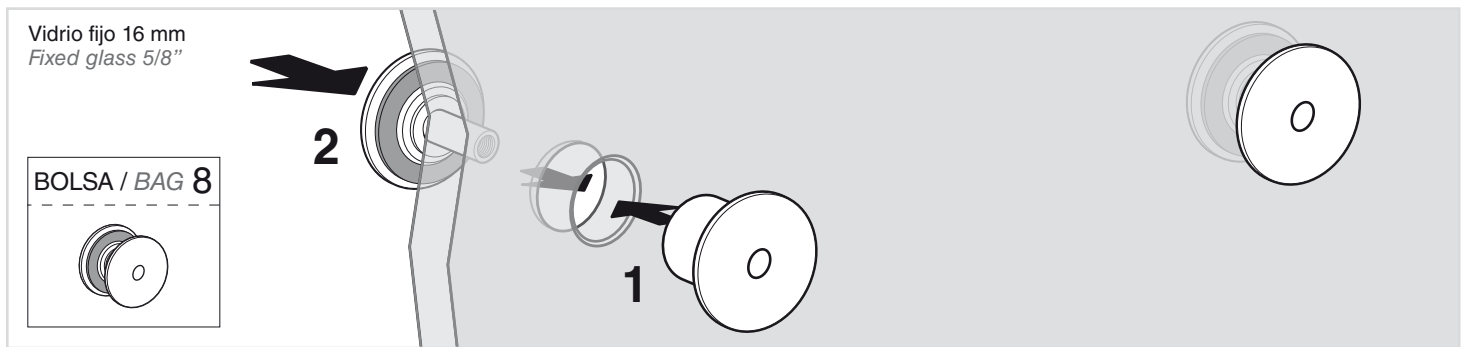
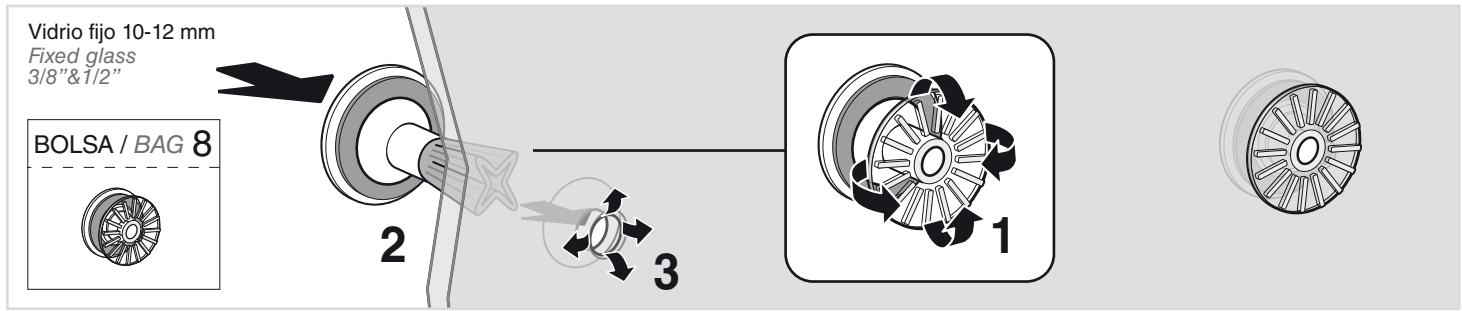
Vidrio fijo 16 mm
Fixed glass 5/8"

- L:** De 1.340 mm hasta 1.470 mm
L: From (52 3/4") up to (57 7/8")
- B** = $L - 1.213 \text{ mm}$ (47 3/4")
- D** = 417 mm (16 13/32") - B

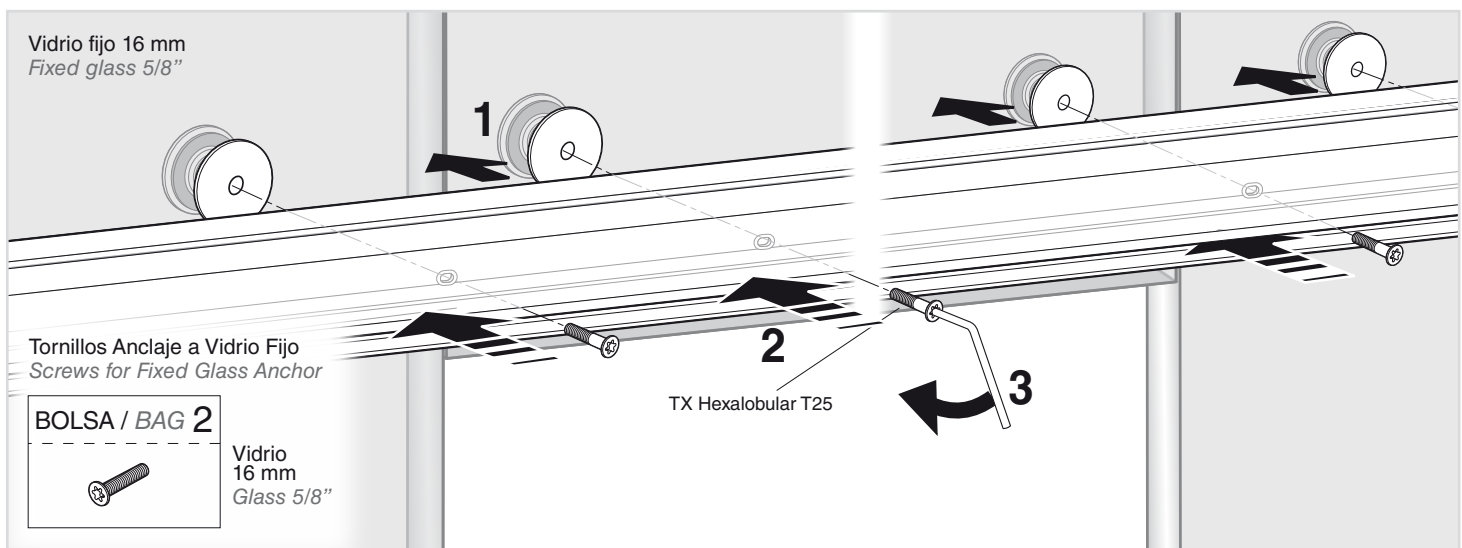
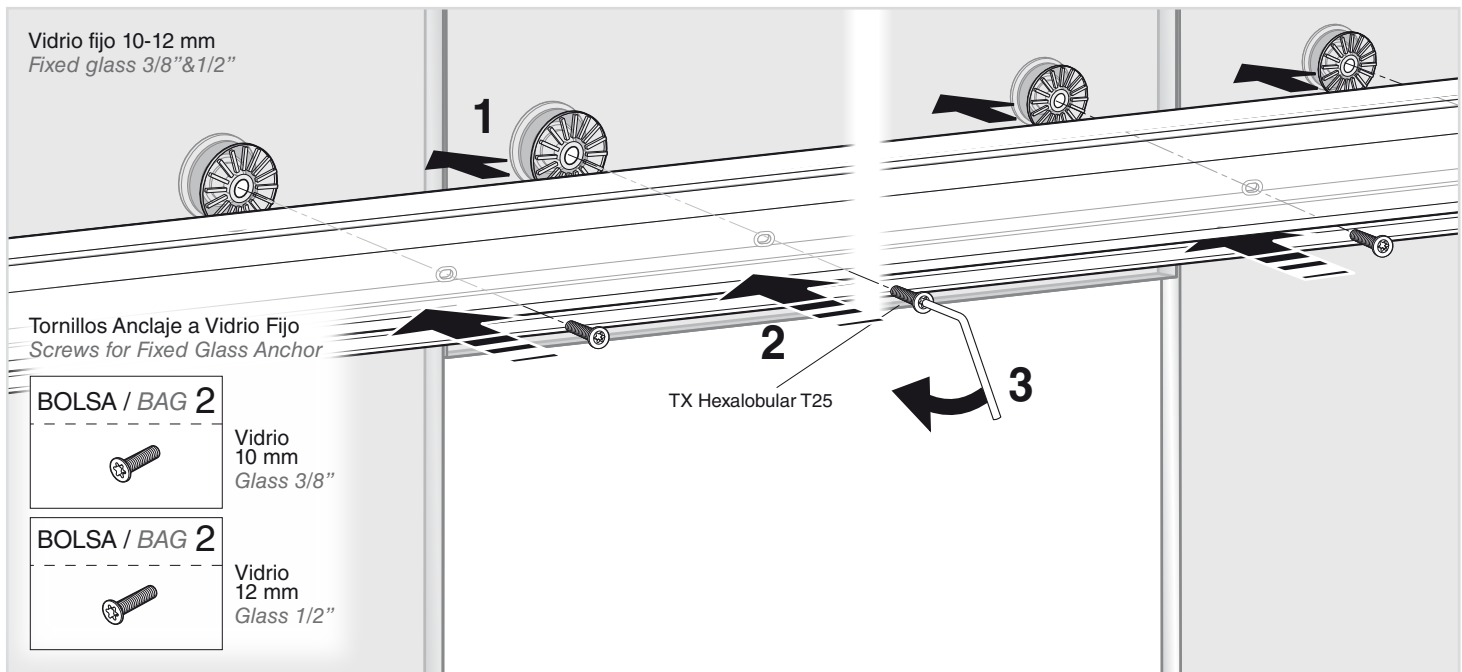


7 MONTAJE PERFIL SUPERIOR UPPER TRACK MOUNTING

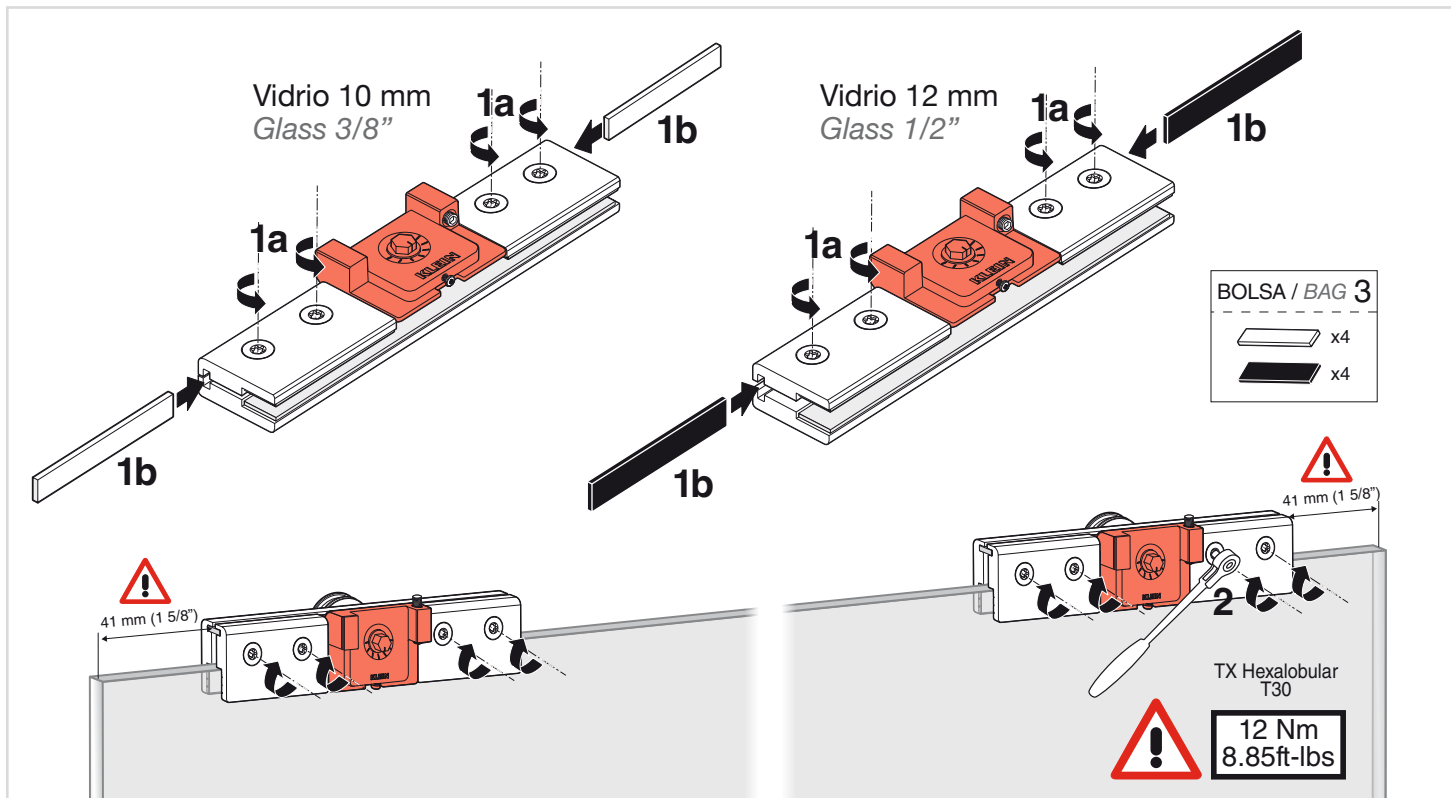
MONTAJE ANCLAJES A VIDRIO FIJO / FIXED GLASS ANCHORS MOUNTING



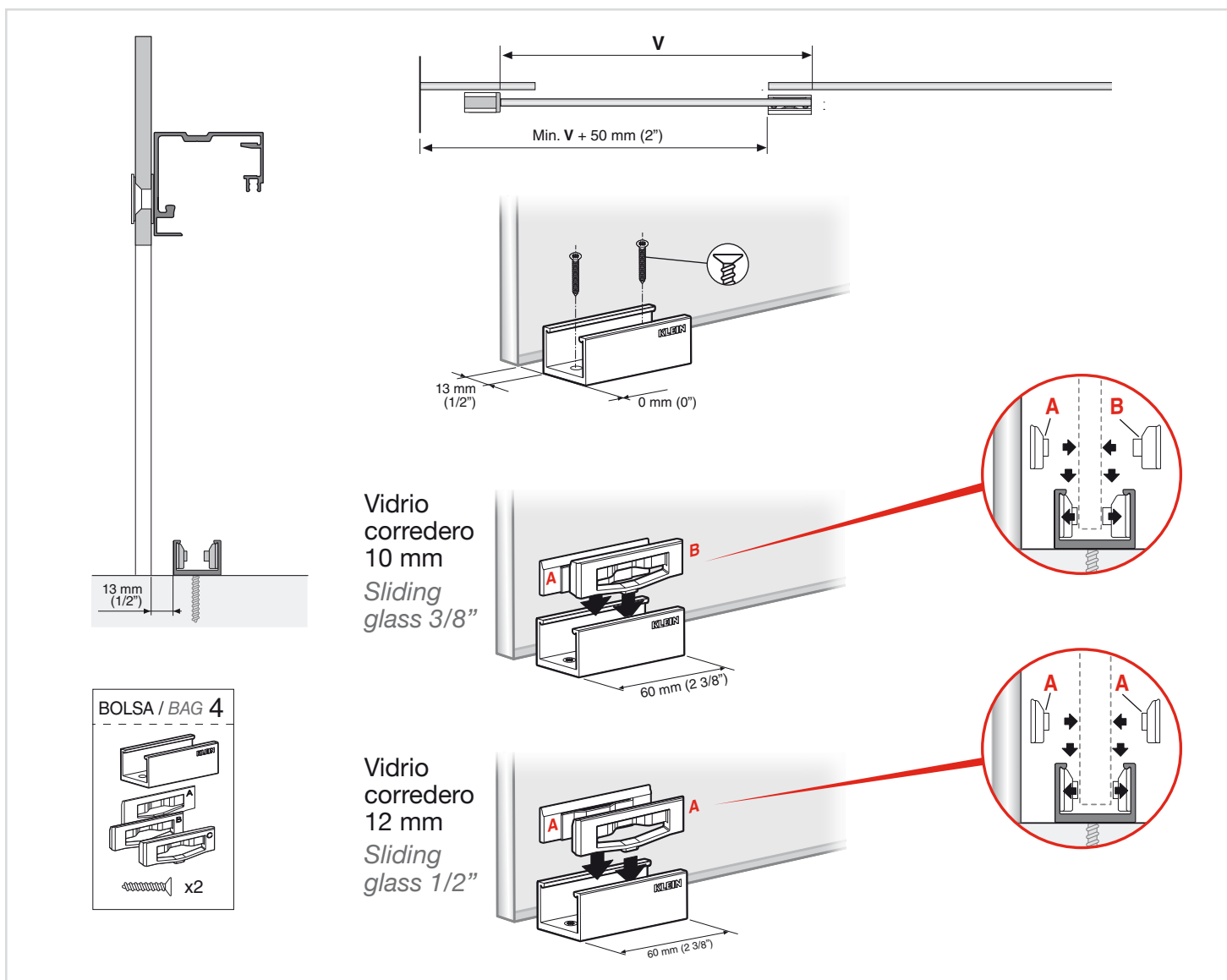
MONTAJE PERFIL SUPERIOR / UPPER TRACK MOUNTING



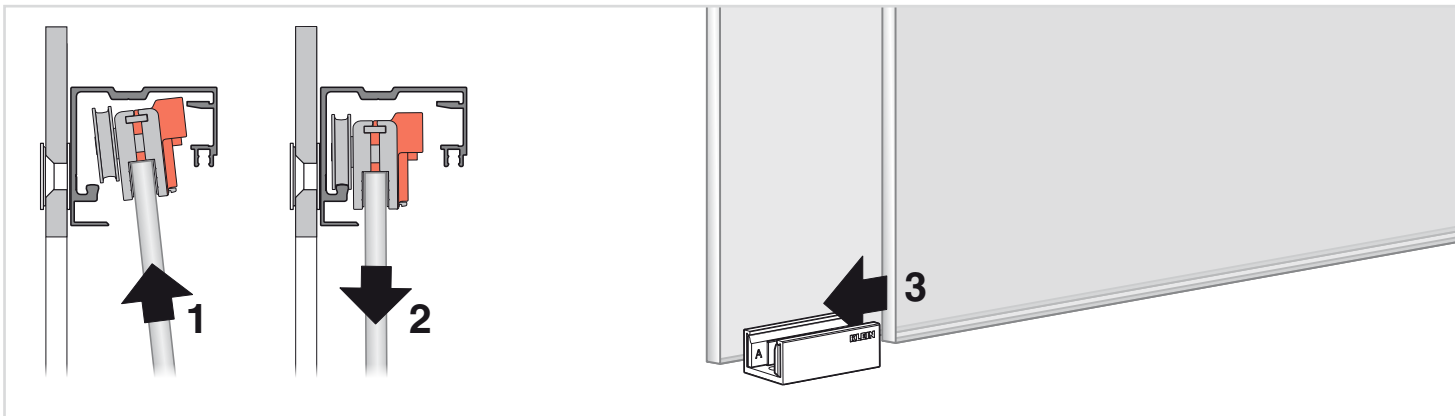
8 COLOCACIÓN DE MORDAZAS / CLAMP INSTALL



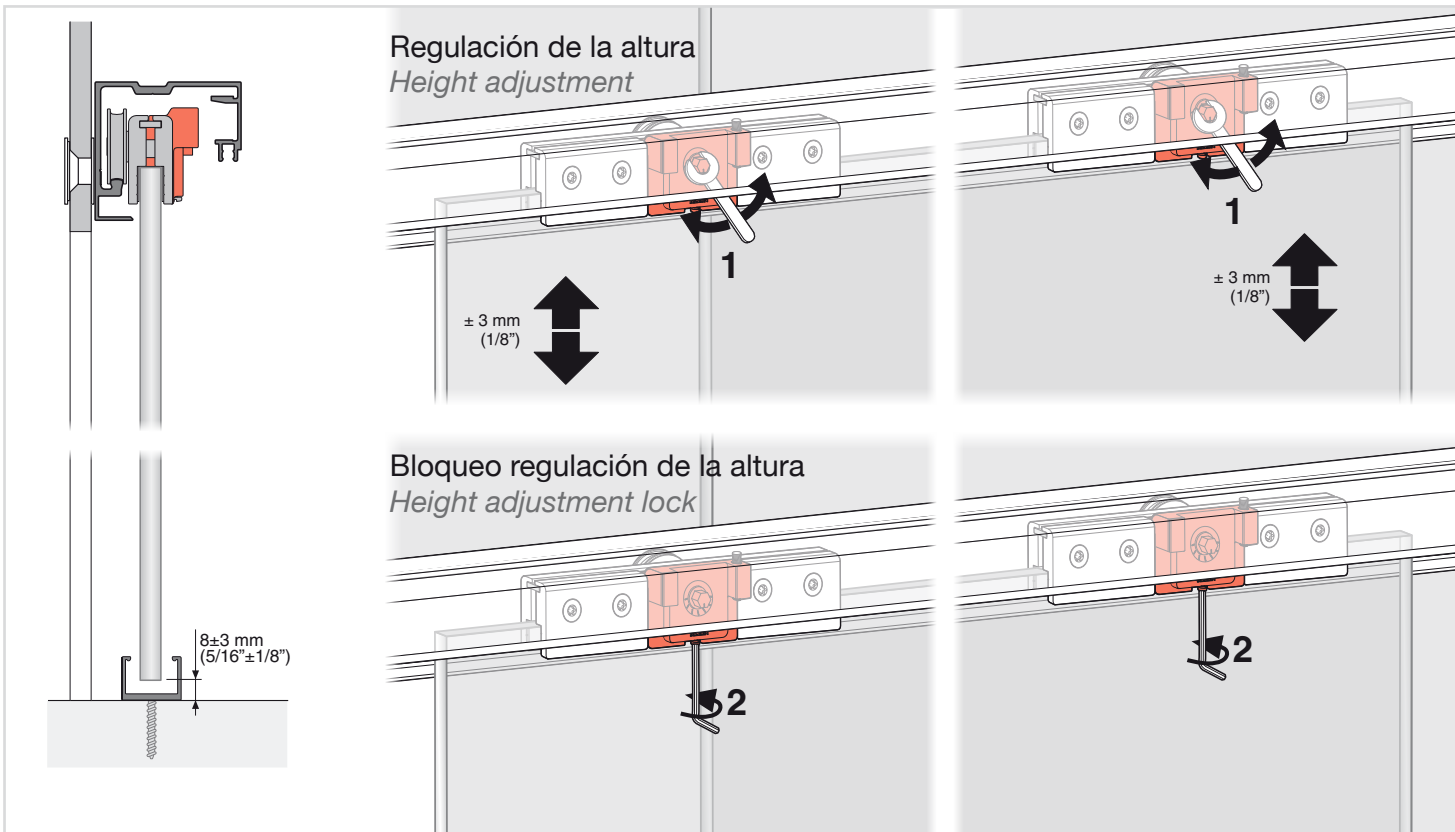
9 COLOCACIÓN DEL GUIADOR / GUIDE INSTALL



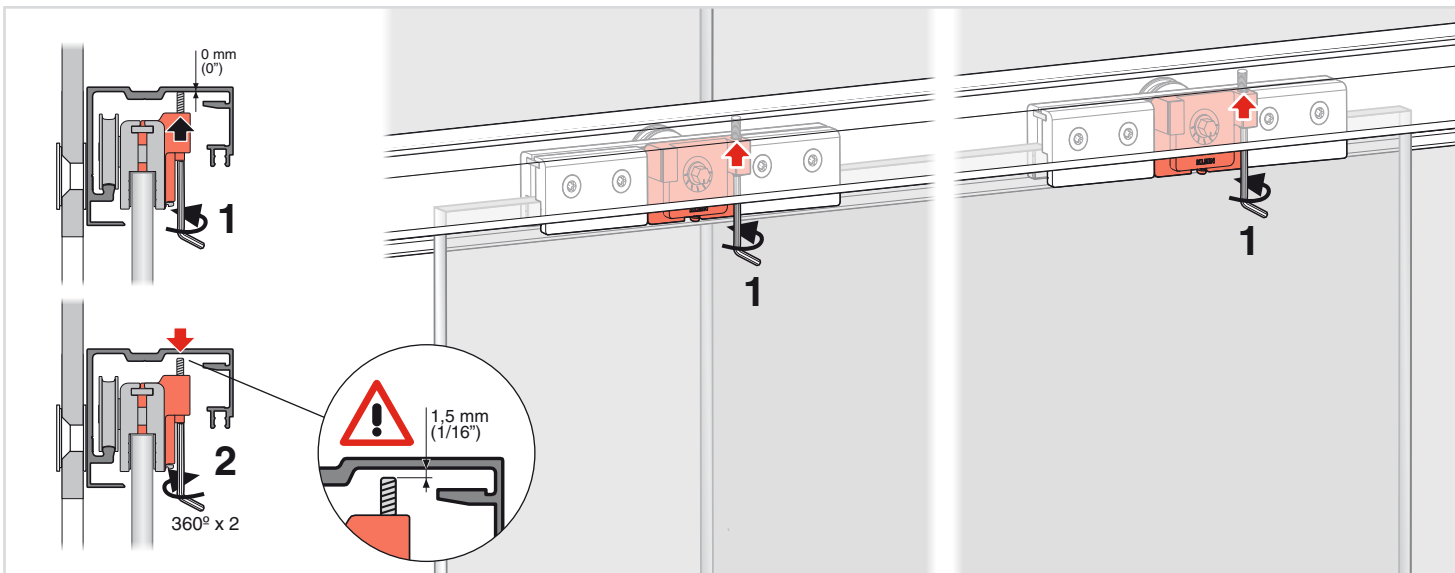
10 COLOCACIÓN DE LA PUERTA / DOOR MOUNTING

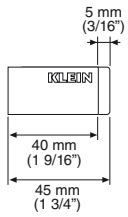
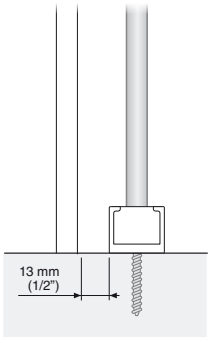


11 REGULACIÓN DE LA ALTURA / HEIGHT ADJUSTMENT

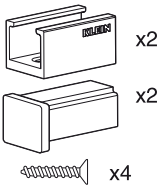


12 ANTIDESCABALGAMIENTO / ANTI-JUMP

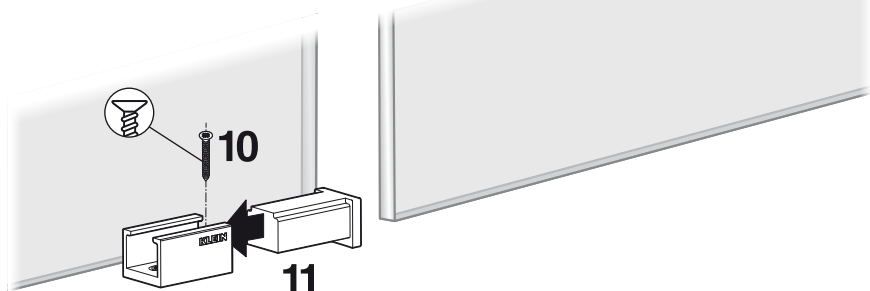
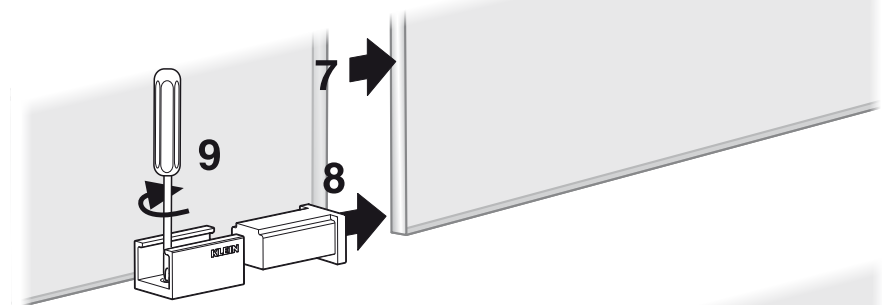
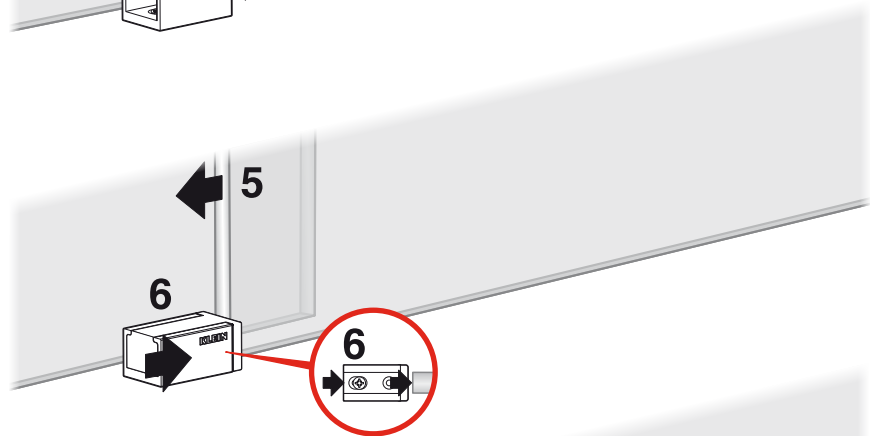
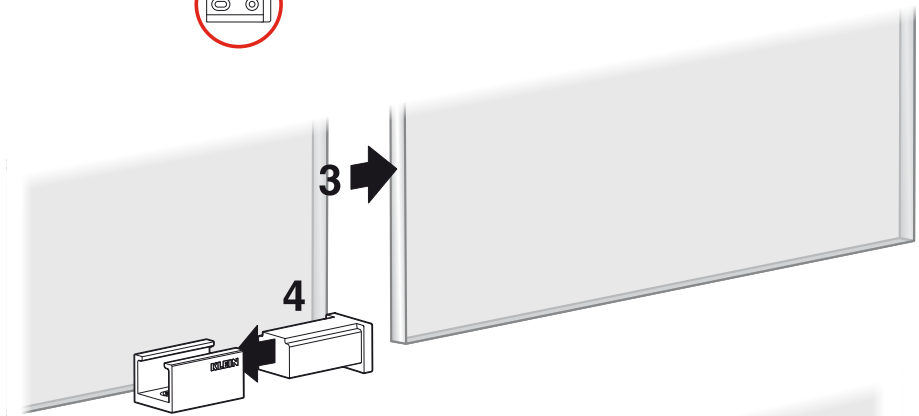
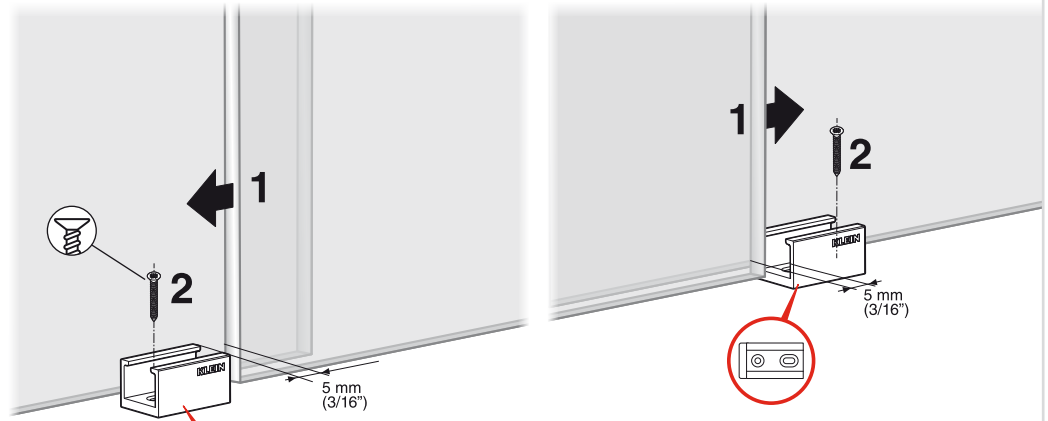


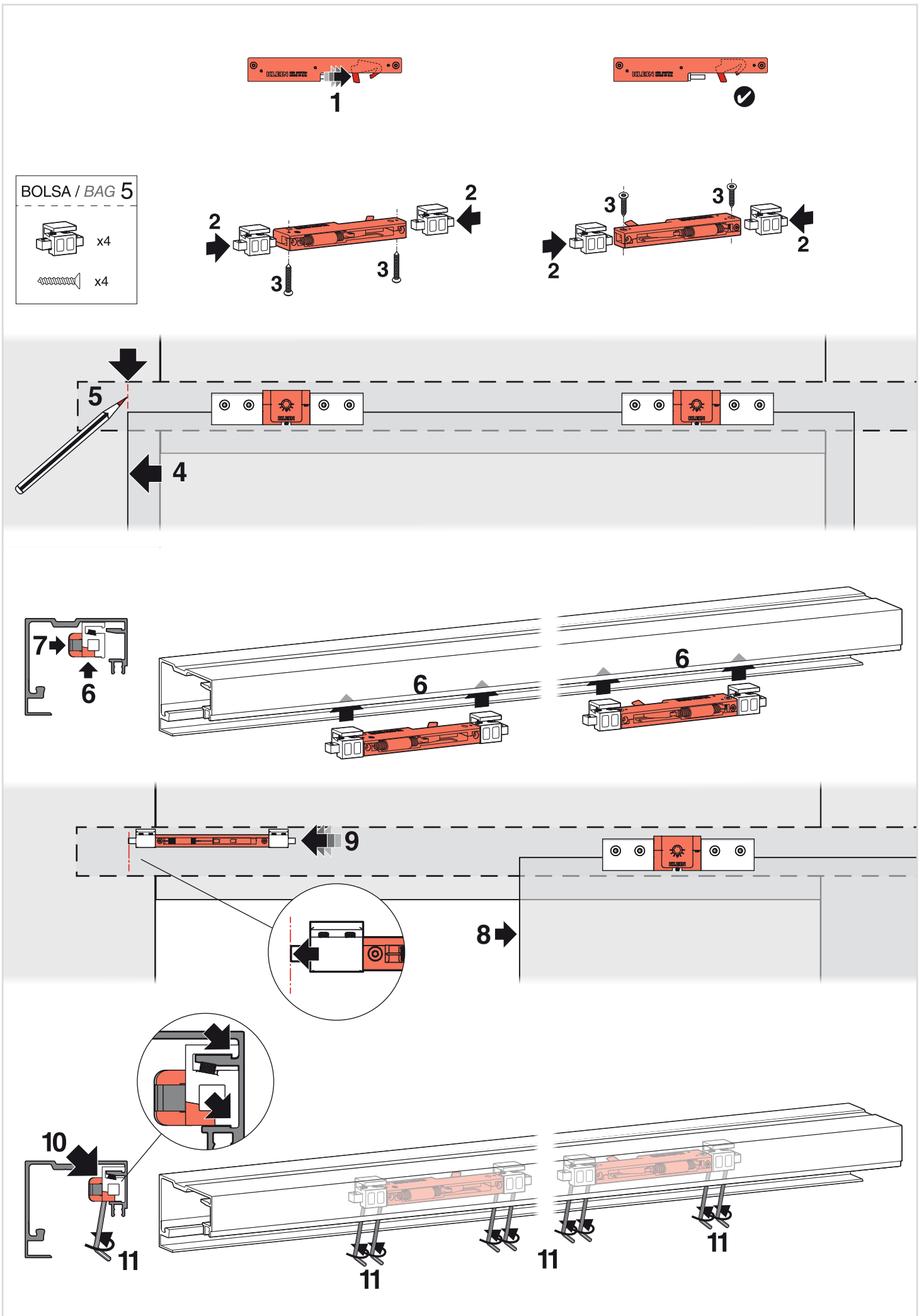


BOLSA / BAG 6

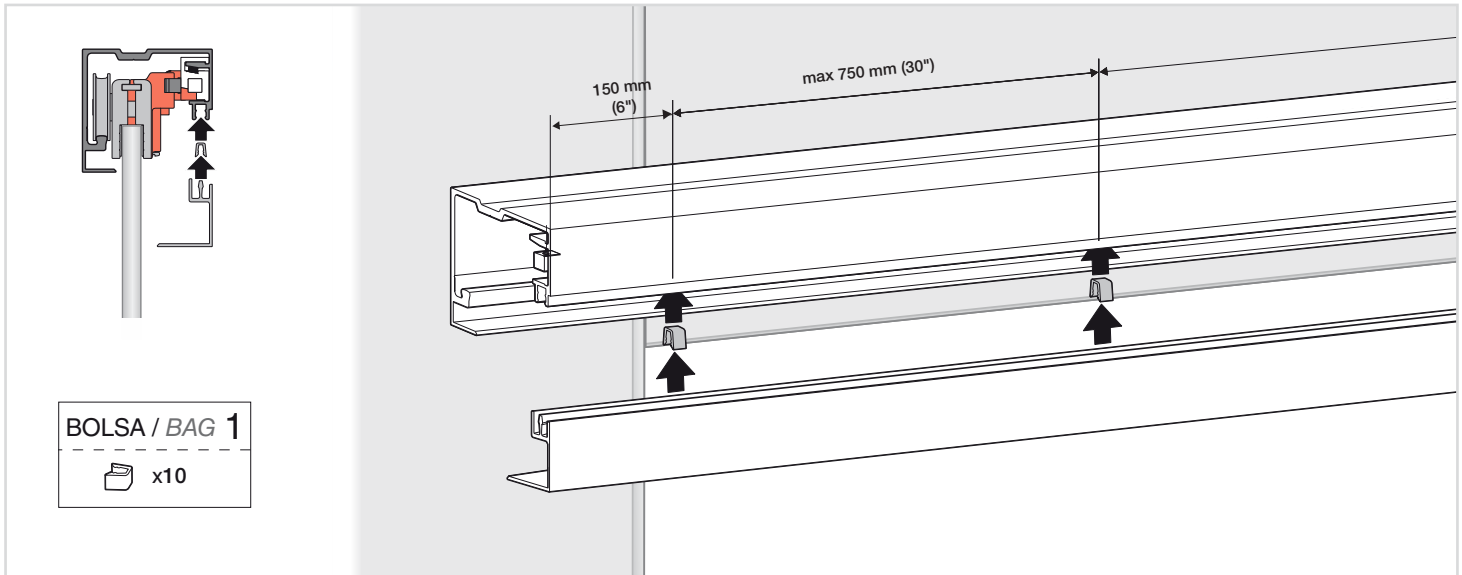


Ajuste final mediante el coliso
 Final adjustment through the slotted hole

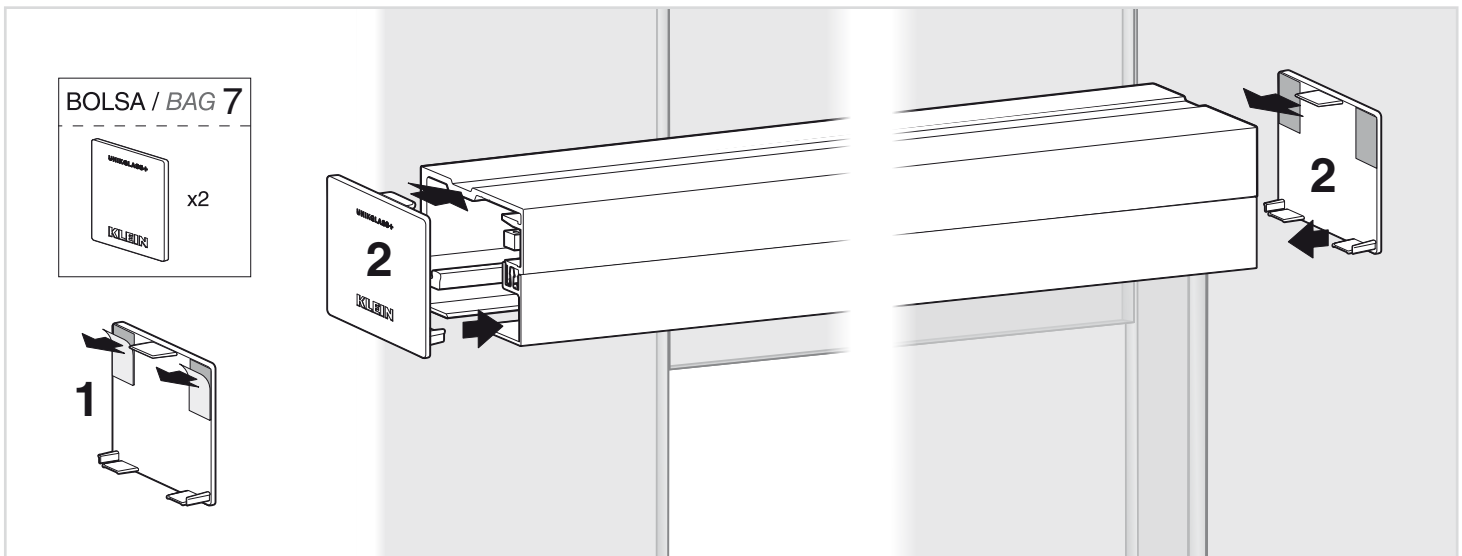


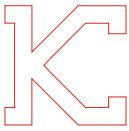


15 COLOCACIÓN DE LA GALERÍA / VALANCE INSTALL



16 COLOCACIÓN DE LAS TAPAS LATERALES END CAP INSTALL





Limited Warranty.

- (1) KLEIN USA, Inc. warrants to the immediate customer only that the delivered goods are free of original material defects and defects in workmanship for a period of five years from date of receipt by the customer. All warranty claims are subject to inspection by KLEIN USA, Inc. prior to KLEIN USA, Inc. providing a remedy for the warranty claim.
- (2) Excluded from this warranty are products, or parts of them, subject to wear through use, and products which have not been used in accordance with their technical characteristics and for purposes for which they have not been designed, being understood that the products sold by KLEIN USA, Inc. are designed exclusively for the enclosure of spaces, with the enclosing running precisely in the longitudinal sense.
- (3) Also excluded from this warranty are those products in which the limits expressed in the product documentation have been exceeded for weights and dimension supported by the product, and/or recommendations for the qualities of the material to which the products sold by KLEIN USA, Inc. are fixed have not been complied with.
- (4) KLEIN USA, Inc. makes no warranty with respect to the following: a) materials not manufactured by KLEIN USA, Inc. or any other group companies, the use of which is suggested by KLEIN USA, Inc. or any other group companies general recommendations, application or installation procedures or otherwise; b) All display items sold by KLEIN USA, Inc. to the Customer
- (5) Warranties are exclusive, and in lieu of all other warranties, express or implied, written or oral, including but not limited to, any implied warranty of merchantability or fitness for any particular purpose. KLEIN USA, Inc. does not assume, nor authorize any representative or other person to assume for it, any obligation or liability other than as expressly set forth herein.
- (6) For the warranty to take effect, the defective product must be sent with the voucher or purchase invoice to the Company, which will then process to repair or replace the product, at its choice.
- (7) KLEIN USA, Inc. will accept no other responsibility than the repair or replacement of the product and only for the purchaser of the product, so the rights granted by this warranty may not be assigned to third parties.

Extent of liability.

- (1) In case of a breach of contractual obligations, defective deliveries, tortuous acts or producers liability, KLEIN USA, Inc. shall only be obliged to compensate damages or expenses –subject to any other contractual or statutory conditions for liability– if it acted intentionally or with gross negligence or in cases of minor negligence, if such negligence results in the breach of an essential contractual duty (a duty the breach of which puts the fulfillment of the purpose of the contract at risk). The liability of KLEIN USA, Inc. shall be limited to typical damages which are foreseeable at the time of the conclusion of the contract.
- (2) The liability of KLEIN USA, Inc. for losses caused by late delivery due to minor negligence shall be limited to 5% of the agreed purchase price.
- (3) The exclusions and limitations of liability in sections (1) – (2) shall not apply in cases where KLEIN USA, Inc. has maliciously failed to disclose a defect, in case of damages resulting from death, injury to health or physical injury where the laws on product liability impose overriding liabilities which cannot be excluded.
- (4) The limitation period for claims against KLEIN USA, Inc. –based on whatever legal ground- is 12 months from the date of delivery to the customer and in case of tortuous claims 12 months from the date the customer becomes aware or would have become aware of the grounds giving rise to a claim and the liable person had he not been grossly negligent. The provisions in this section (4) shall neither apply in cases of intentional or gross negligent breaches of duty nor shall they apply in cases referred to in section 13. (3).

Force Majeure.

- (1) KLEIN USA, Inc. shall not be liable for any default or delay in the production or delivery of all or any goods resulting either directly or indirectly from: a) Accidents to, breakdowns, or mechanical failure of KLEIN USA, Inc. or any other group companies' plant, machinery or equipment, strikes or other labour troubles, labour shortages, fire, flood, wars, acts of the public enemy, acts of God, delays of suppliers, delays in transportation or lack of transportation facilities, embargos, shortages or reductions of energy sources, priorities, allocations, limitations, restrictions or other acts required or requested by federal, state or local governments or any other bureau or agency thereof; b) Any action beyond the control of the Company.
- (2) In no event shall KLEIN USA, Inc. or any other group companies be liable for any consequential, special, or contingent damages arising out of KLEIN USA, Inc. or any other group companies default or delay in filling the customer's order.

Industrial Property Rights, Copyrights.

- (1) Industrial property rights and copyrights to any goods or material of KLEIN USA, Inc. shall remain exclusively the proprietary of the Company.
- (2) In the event of claims against the customer because of breach of an industrial property right or a copyright in using the Company's deliveries or services, KLEIN USA, Inc. shall be responsible to obtain the right for the customer to continue using such deliveries or services, provided that the customer gives immediate written notice of such third-party claims and KLEIN USA, Inc. rights to take all appropriate defensive and out-of-court actions are reserved. If, despite such actions, it proves impossible to continue using the Company's deliveries or services under reasonable economic conditions, it shall be understood as agreed that KLEIN USA, Inc. may, at its discretion, modify or replace the particular delivery or service for removal of a legal deficiency, or reship such delivery or service with refunding of the sales price previously paid to KLEIN USA, Inc. less a certain deduction to account for the age of the delivery or service in question.
- (2) The customer shall have no further claims alleging infringement of industrial property or copyrights, if KLEIN USA, Inc. has not either violated essential contractual duties or has intentionally or grossly negligently breached contractual duties. KLEIN USA, Inc. shall have no liability where breaches of rights are caused by exploiting Company's deliveries or services in any other way than quoted by KLEIN USA, Inc. or by operating these together with any other than Company's deliveries or services.



KLEIN USA - 1 Madison Street, East Rutherford, NJ 07073
Phone: 973 246 81 81 - Fax: 973 246 83 62
Technical Support: technicalinfo@klein-usa.com - www.klein-usa.com

