

# SLID+ 150 KSC SUPERIOR

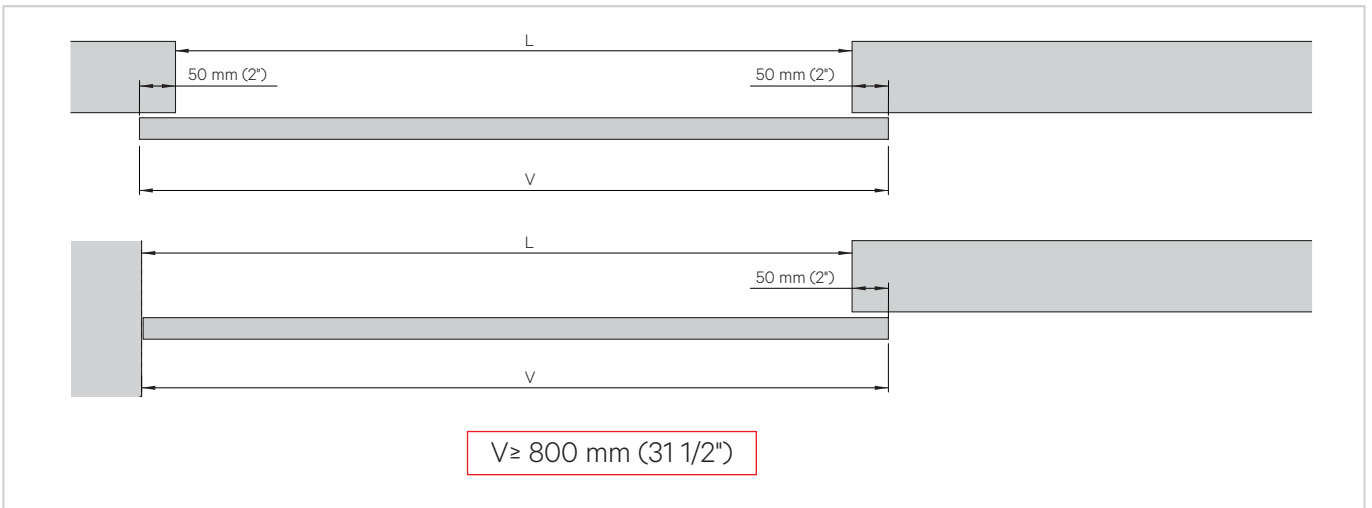
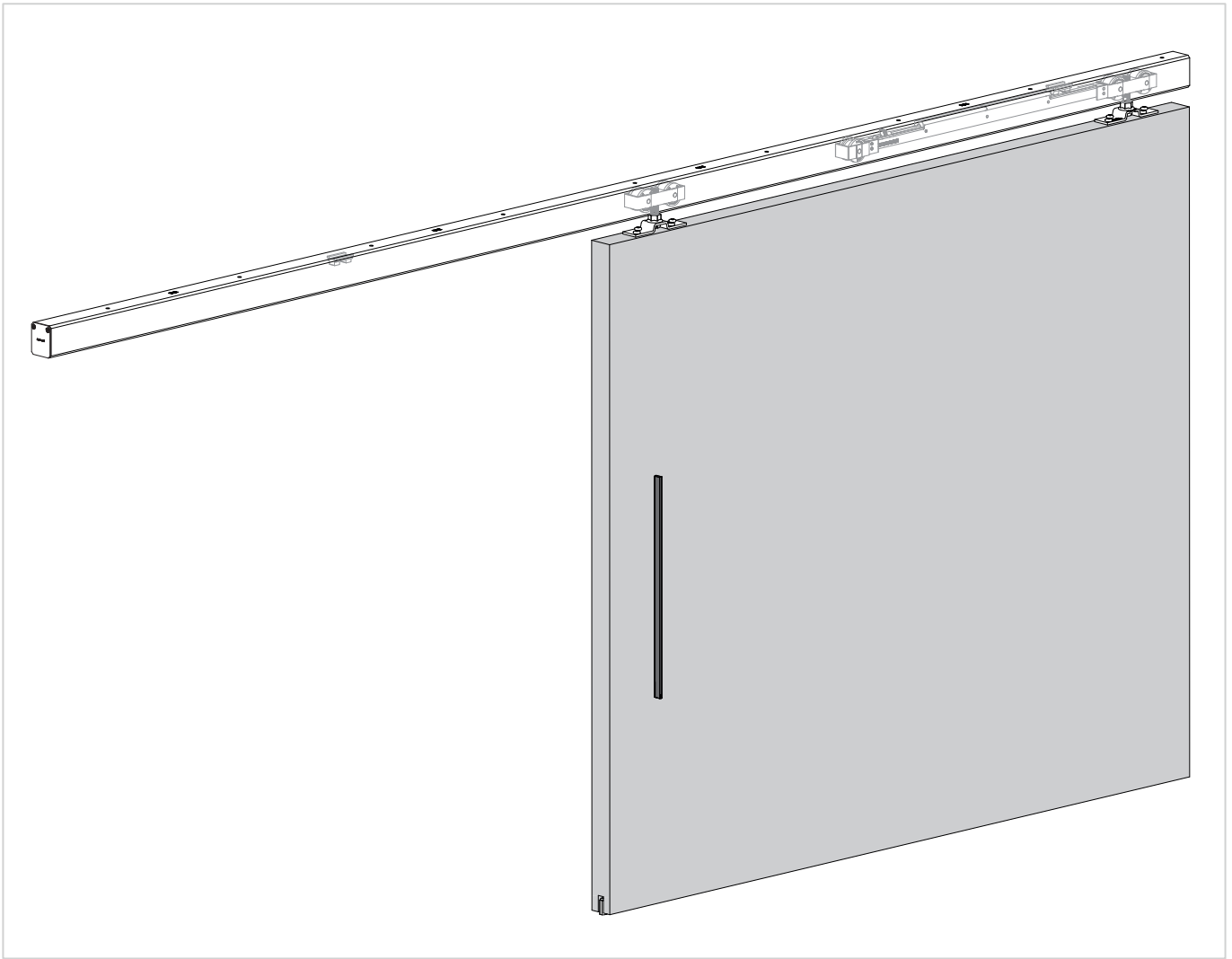
Puertas correderas de madera  
Wood Sliding Doors

# ÍNDICE/ INDEX

PAG

<b>1</b>	TIPOLOGÍAS DE INSTALACIÓN INSTALLATION TYPES	3
<b>2</b>	HERRAMIENTAS NECESARIAS REQUIRED TOOLS	3
<b>3</b>	INFORMACIÓN GENERAL GENERAL INFORMATION	4
<b>4</b>	SECCIONES SECTIONS	4
<b>5</b>	ELEMENTOS DE LA INSTALACIÓN ITEMS OF INSTALLATION	5
<b>6</b>	ACTIVAR KSC ACTIVE KSC	6
<b>7</b>	COLOCACIÓN DE LOS ROLLERS Y LOS ACTIVADORES MOUNTING OF ROLLERS AND ACTIVATORS	6
<b>8</b>	MONTAJE DE LOS PERFILES UPPER TRACKS MOUNTING	7
<b>9</b>	MECANIZACIÓN DEL PANEL PANEL FABRICATION	8
<b>10</b>	COLOCACIÓN DE LAS PLETINAS PLATES MOUNTING	8
<b>11</b>	COLOCACIÓN DEL GUIADOR GUIDE MOUNTING	9
<b>12</b>	COLOCACIÓN DE LA PUERTA DOOR MOUNTING	9
<b>13</b>	COLOCACIÓN ACTIVADOR KSC ( 1 ) KSC ACTIVATOR POSITIONING ( 1 )	10
<b>14</b>	COLOCACIÓN ACTIVADOR KSC ( 2 ) KSC ACTIVATOR POSITIONING ( 2 )	11
<b>15</b>	COLOCACIÓN TAPAS PERFIL SUPERIOR UPPER TRACK END CAPS MOUNTING	12

# 1 TÍPOLOGIAS DE INSTALACIÓN / INSTALLATION TYPES

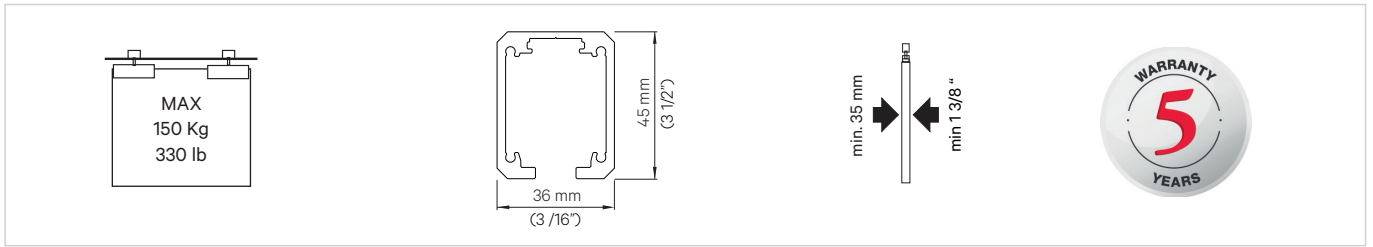


# 2 HERRAMIENTAS NECESARIAS / REQUIRED TOOLS

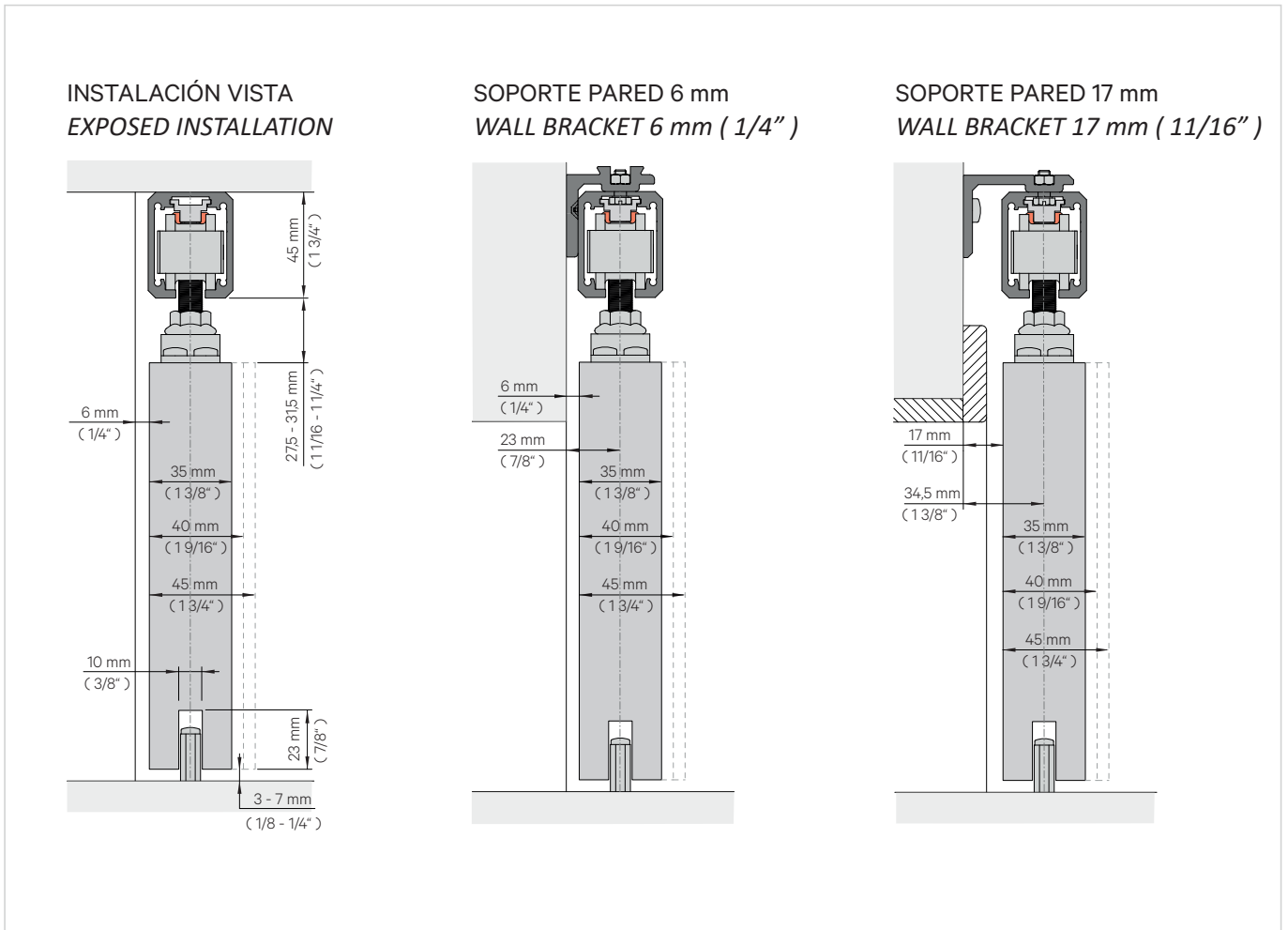


Dimensions in Inches are approximate

### 3 INFORMACIÓN GENERAL / GENERAL INFORMATION

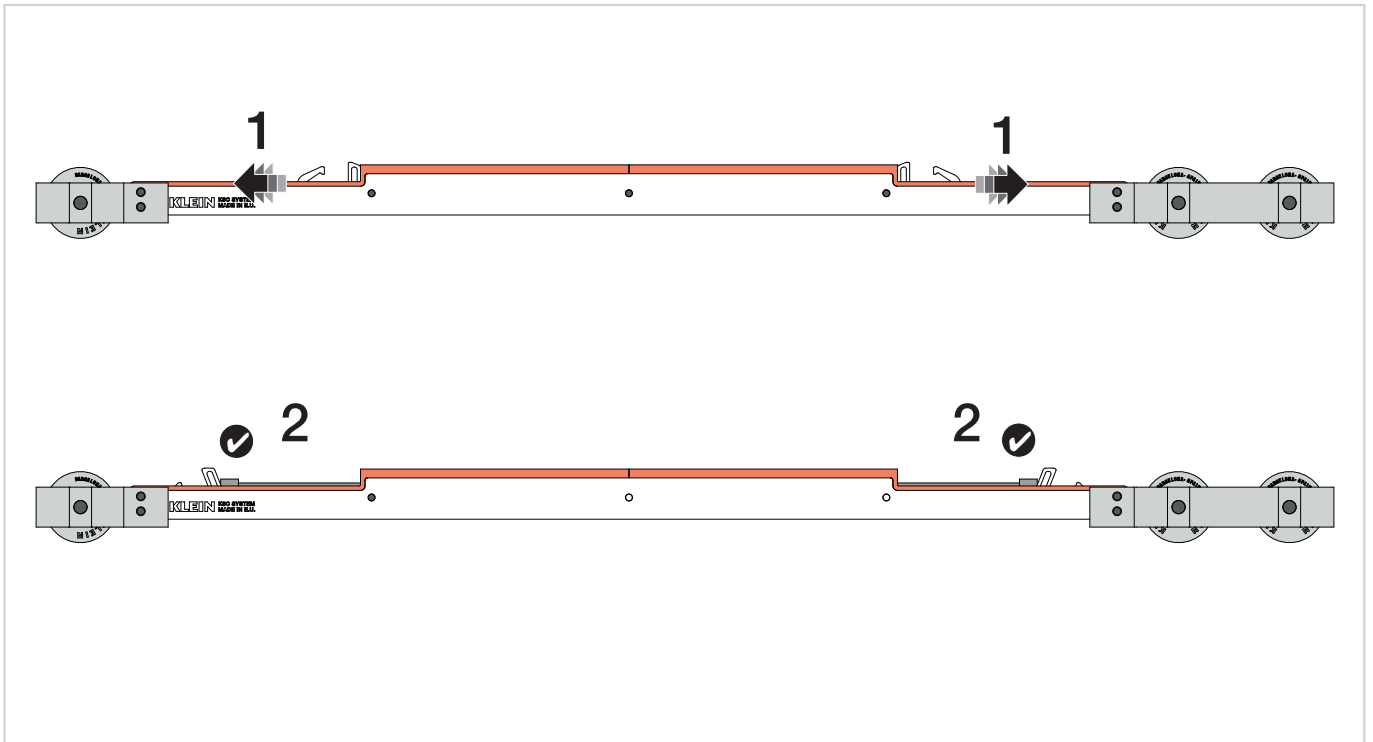


### 4 SECCIONES / SECTIONS

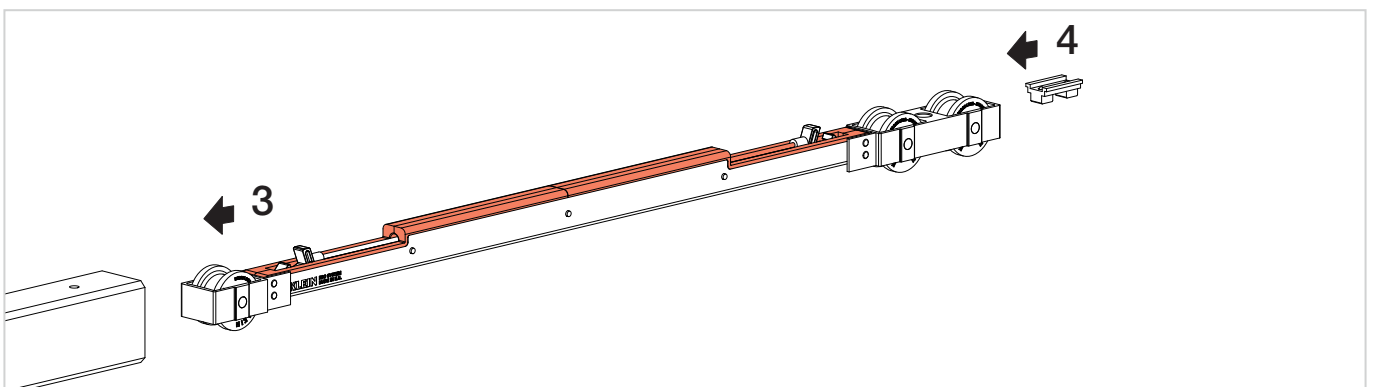
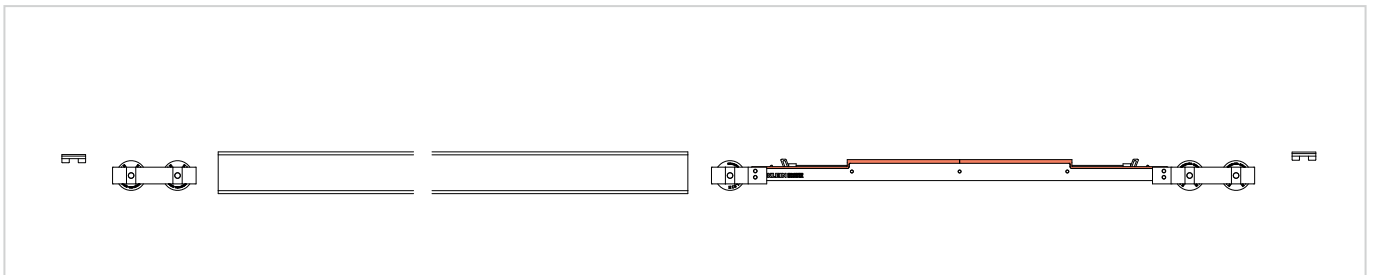




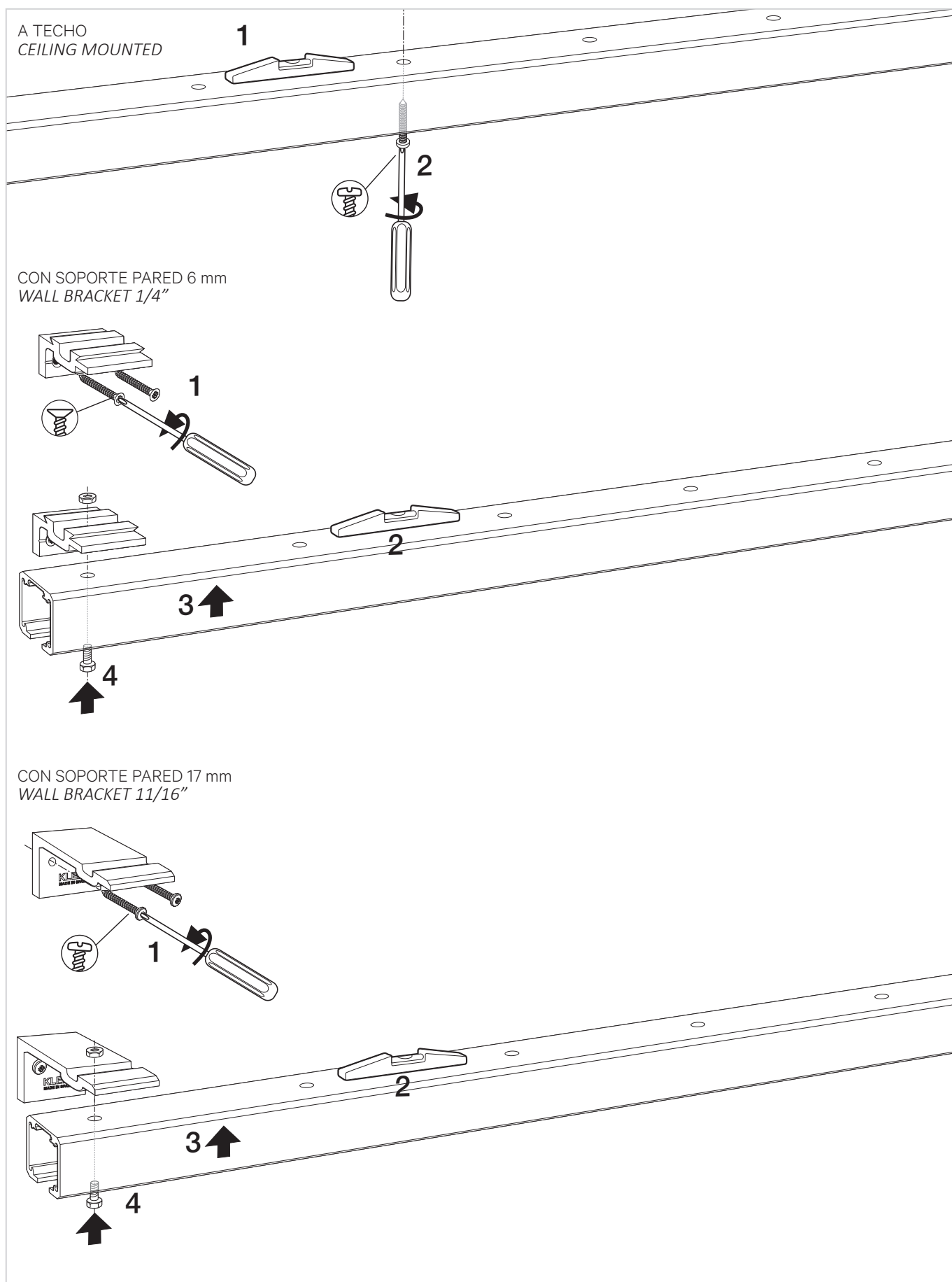
## 6 ACTIVAR KSC / ACTIVE KSC



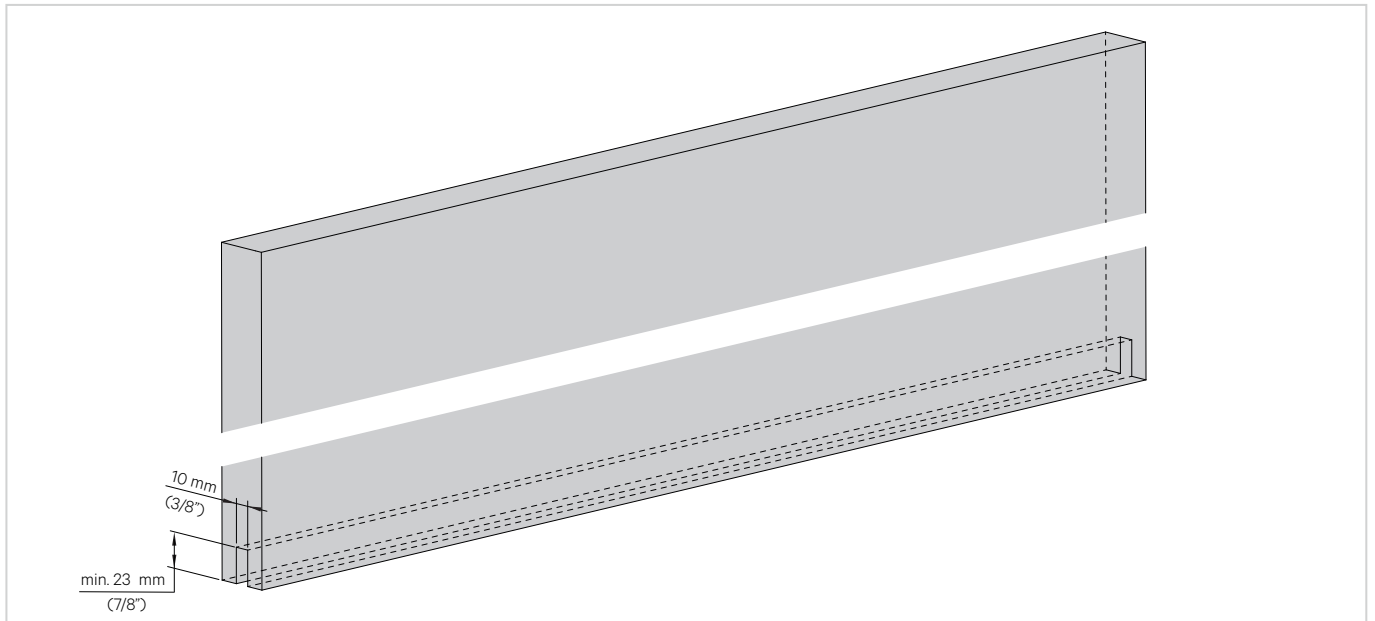
## 7 COLOCACIÓN DE LOS ROLLERS Y ACTIVADORES MOUNTING OF ROLLERS AND ACTIVATORS



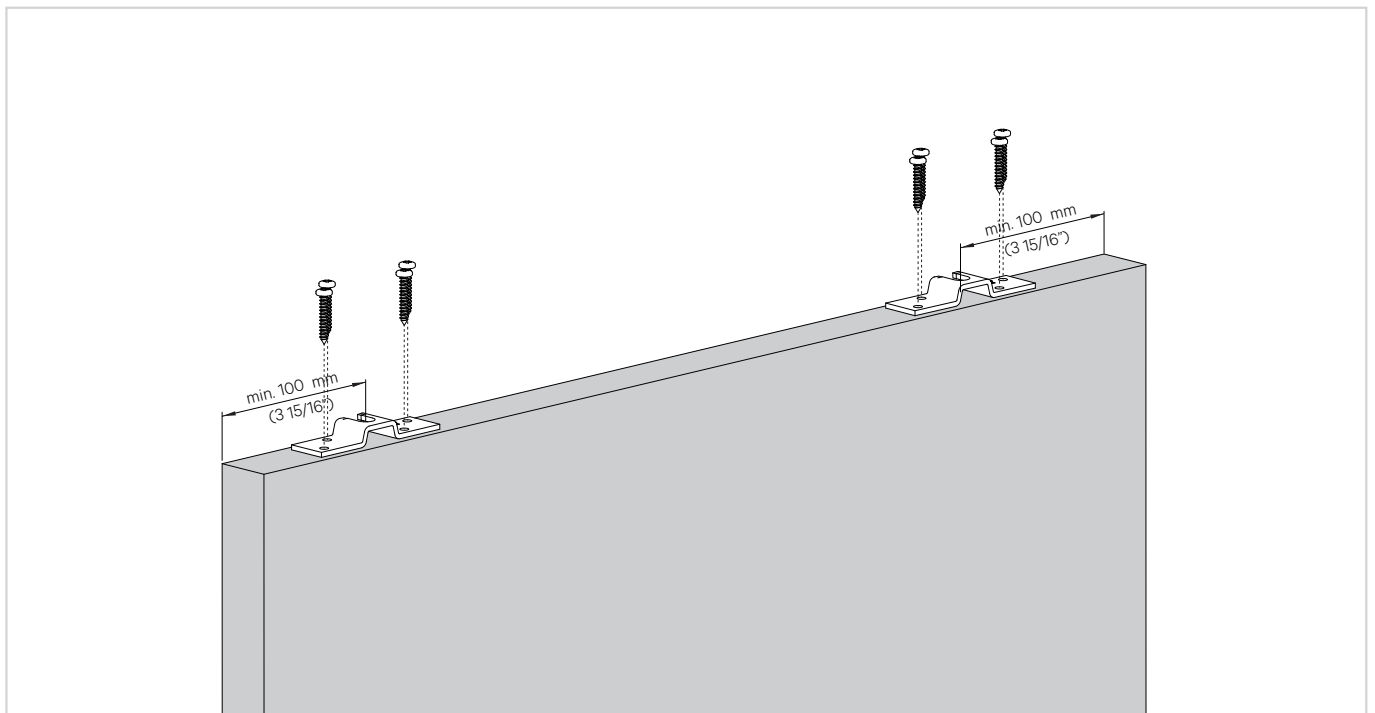
# 8 MONTAJE DE LOS PERFILES / UPPER TRACKS MOUNTING



## 9 MECANIZACIÓN DEL PANEL / PANEL FABRICATION

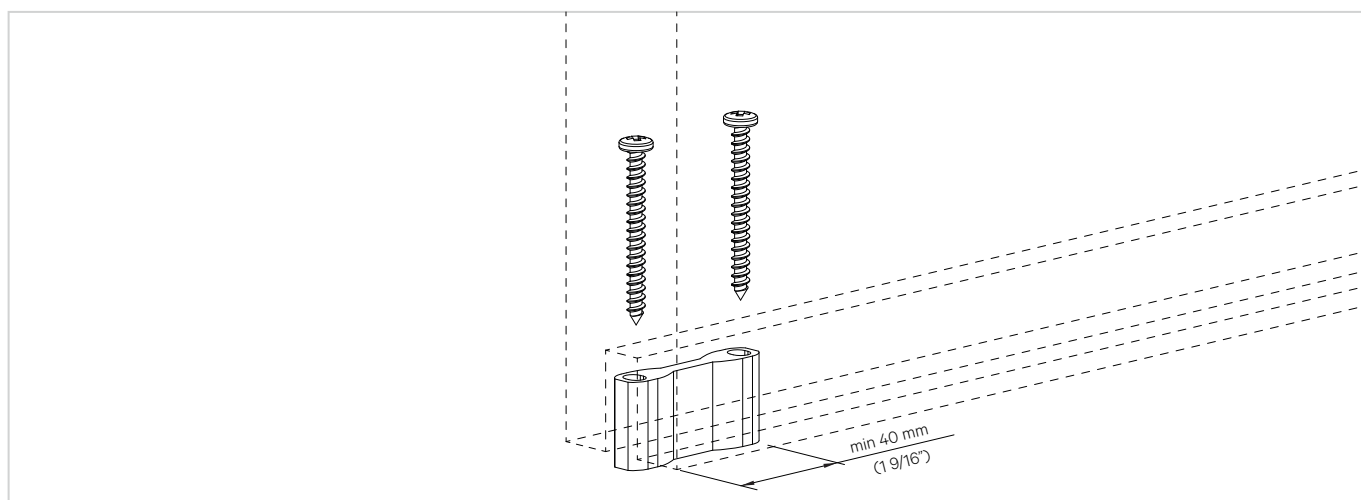


## 10 COLOCACIÓN DE LAS PLETINAS / PLATE MOUNTING

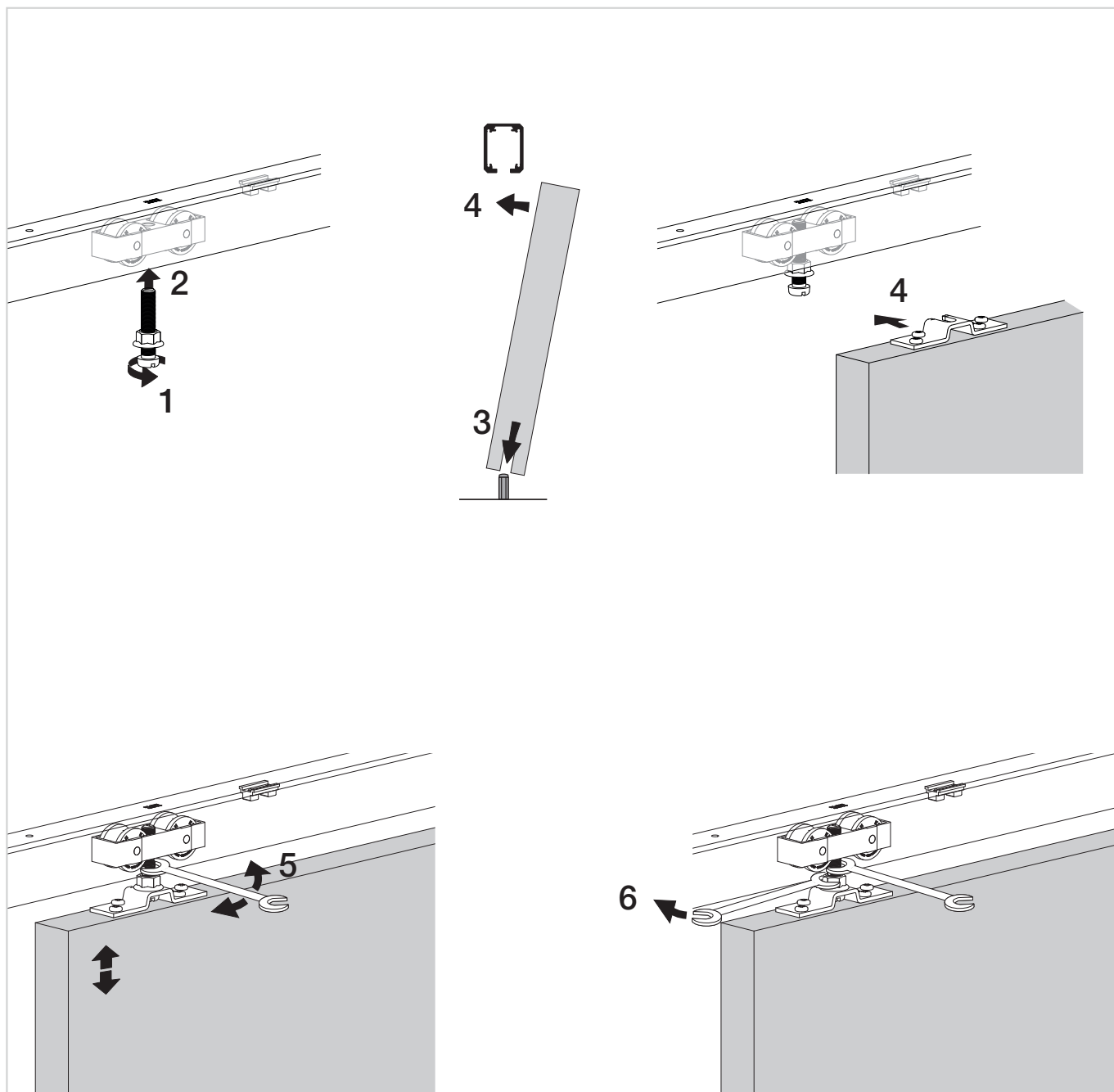




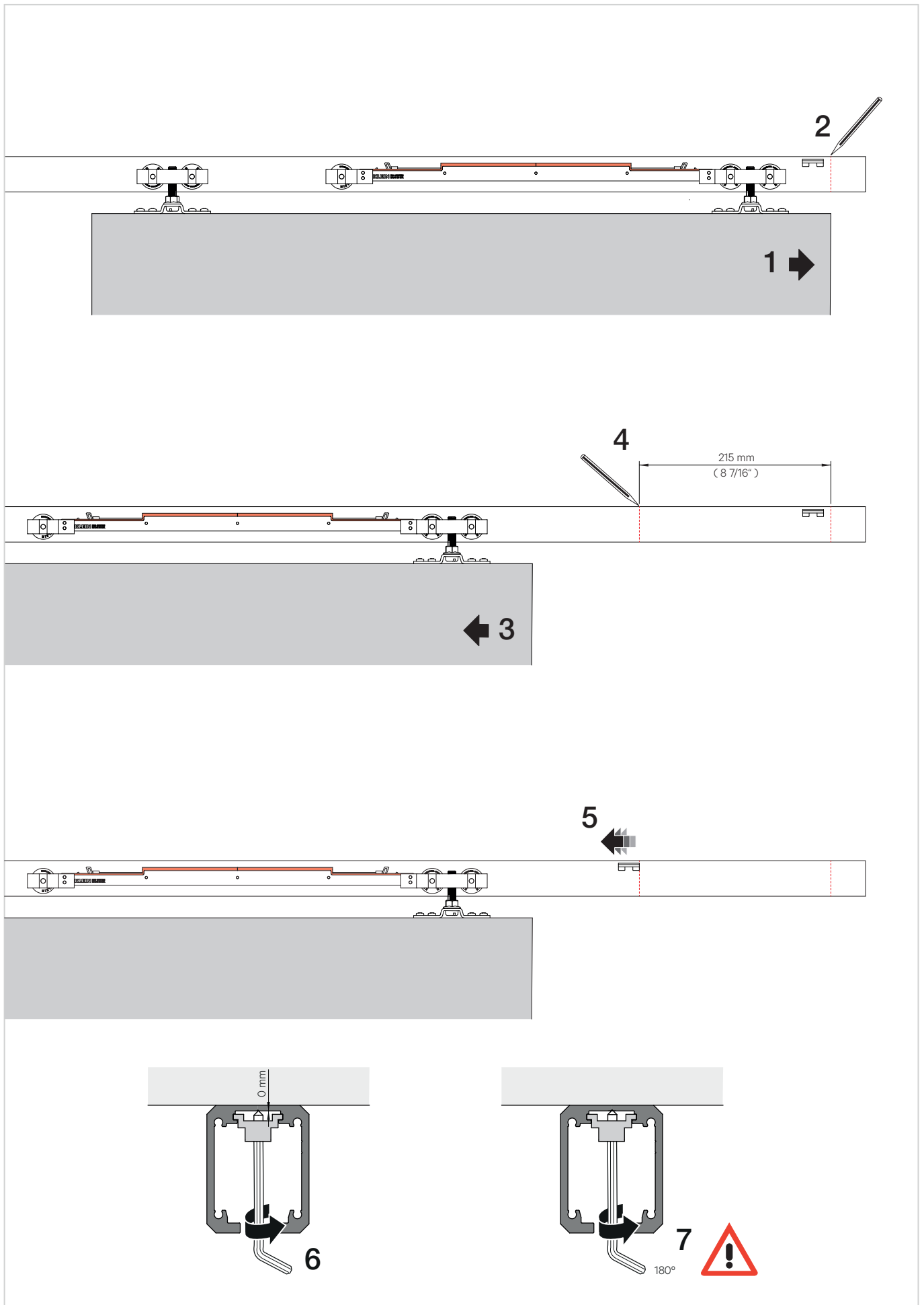
# 11 COLOCACIÓN DEL GUIADOR / GUIDE MOUNTING



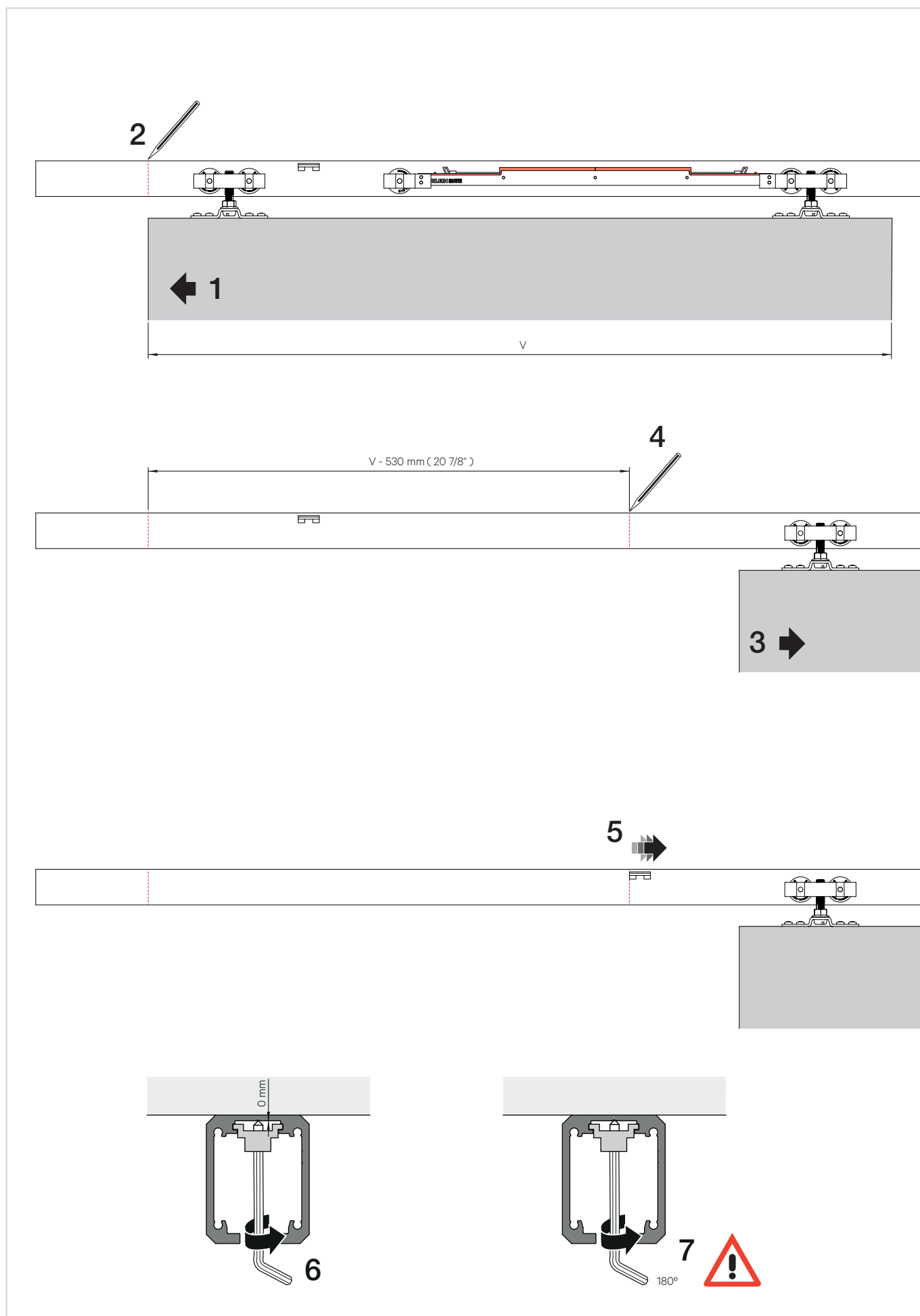
# 12 COLOCACIÓN DE LA PUERTA / DOOR MOUNTING



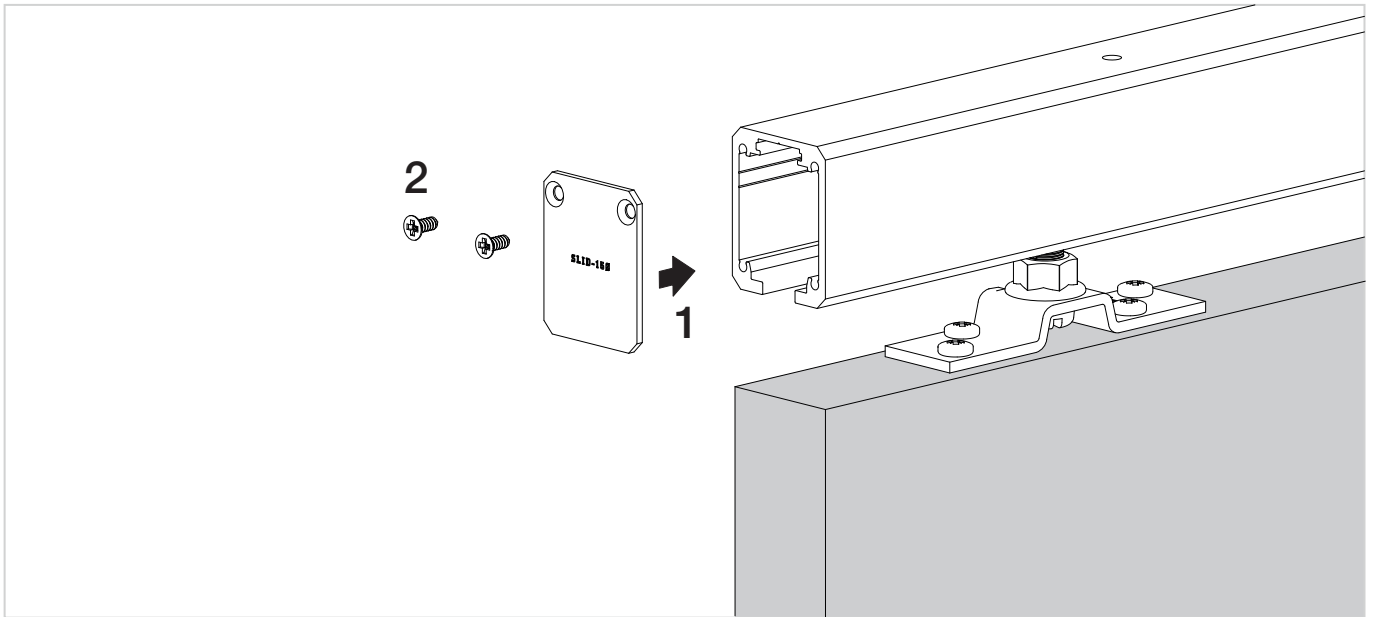
# 13 COLOCACIÓN ACTIVADOR KSC ( 1 ) / KSC ACTIVATOR POSITIONING ( 1 )



# 14 COLOCACIÓN ACTIVADOR KSC ( 2 ) / KSC ACTIVATOR POSITIONING ( 2 )



# 15 COLOCACIÓN TAPAS PERFIL SUPERIOR / UPPER TRACK END CAPS MOUNTING



**Limited Warranty.**

(1) KLEIN IBERICA, S.A.U. & KLEIN USA, Inc. warrants to the immediate customer only that the delivered goods are free of original material defects and defects in workmanship for a period of five years from date of receipt by the customer. All warranty claims are subject to inspection by KLEIN IBERICA, S.A.U. & KLEIN USA, Inc. prior to KLEIN IBERICA, S.A.U. & KLEIN USA, Inc. providing a remedy for the warranty claim.

(2) Excluded from this warranty are products, or parts of them, subject to wear through use, and products which have not been used in accordance with their technical characteristics and for purposes for which they have not been designed, being understood that the products sold by KLEIN IBERICA, S.A.U. & KLEIN USA, Inc. are designed exclusively for the enclosure of spaces, with the enclosing running precisely in the longitudinal sense.

(3) Also excluded from this warranty are those products in which the limits expressed in the product documentation have been exceeded for weights and dimension supported by the product, and/or recommendations for the qualities of the material to which the products sold by KLEIN IBERICA, S.A.U. & KLEIN USA, Inc. are fixed have not been complied with.

(4) KLEIN IBERICA, S.A.U. & KLEIN USA, Inc. makes no warranty with respect to the following: a) materials not manufactured by KLEIN IBERICA, S.A.U. & KLEIN USA, Inc. or any other group companies, the use of which is suggested by KLEIN IBERICA, S.A.U. & KLEIN USA, Inc. or any other group companies general recommendations, application or installation procedures or otherwise; b) All display items sold by KLEIN IBERICA, S.A.U. & KLEIN USA, Inc. to the Customer

(5) Warranties are exclusive, and in lieu of all other warranties, express or implied, written or oral, including but not limited to, any implied warranty of merchantability or fitness for any particular purpose. KLEIN IBERICA, S.A.U. & KLEIN USA, Inc. does not assume, nor authorize any representative or other person to assume for it, any obligation or liability other than as expressly set forth herein.

(6) For the warranty to take effect, the defective product must be sent with the voucher or purchase invoice to the Company, which will then process to repair or replace the product, at its choice.

(7) KLEIN IBERICA, S.A.U. & KLEIN USA, Inc. will accept no other responsibility than the repair or replacement of the product and only for the purchaser of the product, so the rights granted by this warranty may not be assigned to third parties.

**Extent of liability.**

(1) In case of a breach of contractual obligations, defective deliveries, tortuous acts or producers liability, KLEIN IBERICA, S.A.U. & KLEIN USA, Inc. shall only be obliged to compensate damages or expenses –subject to any other contractual or statutory conditions for liability– if it acted intentionally or with gross negligence or in cases of minor negligence, if such negligence results in the breach of an essential contractual duty (a duty the breach of which puts the fulfillment of the purpose of the contract at risk). The liability of KLEIN IBERICA, S.A.U. & KLEIN USA, Inc. shall be limited to typical damages which are foreseeable at the time of the conclusion of the contract.

(2) The liability of KLEIN IBERICA, S.A.U. & KLEIN USA, Inc. for losses caused by late delivery due to minor negligence shall be limited to 5% of the agreed purchase price.

(3) The exclusions and limitations of liability in sections (1) – (2) shall not apply in cases where KLEIN IBERICA, S.A.U. & KLEIN USA, Inc. has maliciously failed to disclose a defect, in case of damages resulting from death, injury to health or physical injury where the laws on product liability impose overriding liabilities which cannot be excluded.

(4) The limitation period for claims against KLEIN IBERICA, S.A.U. & KLEIN USA, Inc. –based on whatever legal ground- is 12 months from the date of delivery to the customer and in case of tortuous claims 12 months from the date the customer becomes aware or would have become aware of the grounds giving rise to a claim and the liable person had he not been grossly negligent. The provisions in this section (4) shall neither apply in cases of intentional or gross negligent breaches of duty nor shall they apply in cases referred to in section 13. (3).

**Force Majeure.**

(1) KLEIN IBERICA, S.A.U. & KLEIN USA, Inc. shall not be liable for any default or delay in the production or delivery of all or any goods resulting either directly or indirectly from: a) Accidents to, breakdowns, or mechanical failure of KLEIN IBERICA, S.A.U. & KLEIN USA, Inc. or any other group companies' plant, machinery or equipment, strikes or other labour troubles, labour shortages, fire, flood, wars, acts of the public enemy, acts of God, delays of suppliers, delays in transportation or lack of transportation facilities, embargos, shortages or reductions of energy sources, priorities, allocations, limitations, restrictions or other acts required or requested by federal, state or local governments or any other bureau or agency thereof; b) Any action beyond the control of the Company.

(2) In no event shall KLEIN IBERICA, S.A.U. & KLEIN USA, Inc. or any other group companies be liable for any consequential, special, or contingent damages arising out of KLEIN IBERICA, S.A.U. & KLEIN USA, Inc. or any other group companies default or delay in filling the customer's order.

**Industrial Property Rights, Copyrights.**

(1) Industrial property rights and copyrights to any goods or material of KLEIN IBERICA, S.A.U. & KLEIN USA, Inc. shall remain exclusively the proprietary of the Company. (2) In the event of claims against the customer because of breach of an industrial property right or a copyright in using the Company's deliveries or services, KLEIN IBERICA, S.A.U. & KLEIN USA, Inc. shall be responsible to obtain the right for the customer to continue using such deliveries or services, provided that the customer gives immediate written notice of such third-party claims and KLEIN IBERICA, S.A.U. & KLEIN USA, Inc. rights to take all appropriate defensive and out-of-court actions are reserved. If, despite such actions, it proves impossible to continue using the Company's deliveries or services under reasonable economic conditions, it shall be understood as agreed that KLEIN IBERICA, S.A.U. & KLEIN USA, Inc. may, at its discretion, modify or replace the particular delivery or service for removal of a legal deficiency, or reship such delivery or service with refunding of the sales price previously paid to KLEIN IBERICA, S.A.U. & KLEIN USA, Inc. less a certain deduction to account for the age of the delivery or service in question.

(2) The customer shall have no further claims alleging infringement of industrial property or copyrights, if KLEIN IBERICA, S.A.U. & KLEIN USA, Inc. has not either violated essential contractual duties or has intentionally or grossly negligently breached contractual duties. KLEIN IBERICA, S.A.U. & KLEIN USA, Inc. shall have no liability where breaches of rights are caused by exploiting Company's deliveries or services in any other way than quoted by KLEIN IBERICA, S.A.U. & KLEIN USA, Inc. or by operating these together with any other than Company's deliveries or services.



411-2808 10/21

# KLEIN

KLEIN EUROPE - GLOBAL HEADQUARTER  
Pol. Ind. Can Cuyas. N-150 Km.1  
08110 Montcada i Reixac (Barcelona)  
Tel.: + 34 935 760 101

Fax: + 34 935 760 109  
klein@klein.es  
www.klein.es

KLEIN USA, INC - US HEADQUARTER  
1 Madison Street  
East Rutherford, NJ 07073  
Phone: 973 246 8181

Fax: 973 246 8362  
info@klein-usa.com  
www.klein-usa.com

Follow us on social media  
Síguenos en redes

