



# FRAME FRONT

Puertas correderas de vidrio con marco  
Sliding glass doors with frame

# 01 ÍNDICE INDEX

02 - INFORMACIÓN DE SEGURIDAD (ESP)	4
02 - SAFETY INFORMATION (ESP)	
03 - EVALUACIÓN DE LOS RIESGOS DEL PRODUCTO (ESP)	6
03 - PRODUCT RISK ASSESSMENT (ESP)	
04 - INFORMACIÓN GENERAL	8
04 - GENERAL INFORMATION	
05 - ELEMENTOS DE LA INSTALACIÓN	9
05 - ITEMS OF INSTALLATION	
06 - HERRAMIENTAS NECESARIAS	10
06 - REQUIRED TOOLS	
07 - CORTE PERFILES + TAPA - VIDRIO CORREDERO.	10
07 - PROFILE + COVER CUTTING - SLIDING GLASS	
08 - MECANIZADOS PERFILES - VIDRIO CORREDERO	10
08 - MACHINED PROFILES - SLIDING GLASS	
09 - CORTE PERFILES - VIDRIO FIJO	11
09 - PROFILE CUTTING - FIXED GLASS	
10 - ACTIVACIÓN KSC	11
10 - ACTIVATE KSC	
11 - ENFILAR KSC + ACTIVADOR EN EL PERFIL	11
11 - THREAD KSC + ACTIVATOR INTO THE PROFILE	
12a - FIJACIÓN EN EL TECHO	12
12a - CEILING ATTACHMENT	
12b - MONTAJE FALSO TECHO	12
12b - FALSE CEILING INSTALLATION	
13 - MECANIZACIÓN PERFIL A, B Y C - VIDRIO FIJO	14
13 - MACHINING PROFILE A, B AND C - FIXED GLASS	
14 - COLOCACIÓN PERFIL VERTICAL	14
14 - VERTICAL PROFILE PLACEMENT	
15 - COLOCACIÓN DEL PERFIL INFERIOR	14
15 - PLACEMENT OF BOTTOM PROFILE	
16 - COLOCACIÓN VIDRIO FIJO	15
16 - INSTALL FIXED GLASS	
17 - DESPLAZAMIENTO DEL VIDRIO FIJO HASTA EL PERFIL VERTICAL	15
17 - MOVE FIXED GLASS TO VERTICAL PROFILE	
18 - SELLADO CON SILICONA	15
18 - SEAL WITH SILICONE	
19 - MONTAJE GUIADOR	16
19 - ASSEMBLY GUIDE	
20 - MONTAJE DE LAS JUNTAS + PERFILES	16
20 - ASSEMBLY OF SEALS + PROFILES	
21 - FIJACIÓN PERFILES.	17
21 - FIX PROFILES	

22 - COLOCACIÓN DE LA PUERTA . . . . .	17
22 - PLACEMENT OF THE DOOR	
23 - POSICIONAMIENTO Y FIJACIÓN DEL CUERPO DE SUSPENSIÓN . . . . .	17
23 - POSITIONING AND FIXING OF THE SUSPENSION BODY	
24 - REGULACIÓN DE ALTURA . . . . .	18
24 - HEIGHT ADJUSTMENT	
25 - POSICIONAMIENTO DE LOS ACTIVADORES . . . . .	18
25 - POSITIONING OF THE ACTIVATORS	
26 - COLOCACIÓN DE TAPAS . . . . .	18
26 - PLACEMENT OF COVERS	
27 - COLOCACIÓN DEL TAPABOCAS DEL CANAL DE VIDRIO FIJO . . . . .	19
27 - PLACEMENT OF THE FIXED GLASS CHANNEL COVER	
28 - COLOCACIÓN DEL TAPABOCAS DEL CANAL DEL VIDRIO CORREDERO . . . . .	19
28 - PLACEMENT OF THE SLIDING GLASS CHANNEL COVER	
29 - COLOCACIÓN DEL PERFIL RECEPTOR . . . . .	20
29 - PLACEMENT OF THE RECEIVER PROFILE	

# 02 INFORMACIÓN DE SEGURIDAD (ESP) SAFETY INFORMATION (ESP)

## INDICACIONES GENERALES

- Estas instrucciones solo son válidas para los sistemas KLEIN.
- Las medidas métricas son válidas. Las medidas en pulgadas son solo informativas.
- Los herrajes KLEIN no son adecuados para aplicaciones en espacios donde se utilicen productos químicos (p. ej. cloro) como piscinas interiores, saunas o piscinas de agua salada.
- Nunca mueva los paneles correderos a una velocidad superior a la de la marcha y detenga siempre la puerta manualmente antes de que alcance la posición final.
- No deslice las puertas con una fuerza excesiva.

## USO PREVISTO

- Herrajes para sistemas KLEIN.
- Solo para puertas correderas en interiores secos.
- Solo para apertura y cierre manual.

## GRUPO DESIGNADO

- Solo personal debidamente cualificado y especialmente formado está autorizado a montar los herrajes de vidrio KLEIN.

## REQUISITOS DEL VIDRIO Y DE LOS DISPOSITIVOS DE FIJACIÓN

- La subestructura/pared debe ser capaz de soportar cargas del sistema.
- Utilizar el par de apriete indicado.
- La zona de sujeción deber ser plana y sin recubrimiento.
- No utilizar vidrios con fracturas y/o bordes dañados.
- KLEIN exige el uso de vidrio que cumpla con los siguientes normas:

### EUROPA:

- UNE EN 572-2:2012 Vidrio para la edificación. Productos básicos de vidrio de silicato sodocálcico. Parte 2: Vidrio plano.
- UNE EN 12150-1:2016 Vidrio para la edificación. Vidrio de silicato sodocálcico de seguridad templado térmicamente. Parte 1: Definición y descripción.
- UNE EN ISO 12543-1/6:2011 Vidrio para la edificación. Vidrio laminado y vidrio laminado de seguridad.

### USA:

- ASTM C1036-16 Standard Specification for Flat Glass
  - ASTM C1048-12e1 Standard Specification for Heat-Strengthened and Fully Tempered Glass
  - ASTM C1172-14 Standard Specification for Laminated Architectural Flat Glass
- El rango de espesor admitido para el vidrio fijo y el vidrio de la puerta corredera en espesores de 1/2" va de 11.91mm a 12.70mm.

## INSTRUCCIONES DE SEGURIDAD

- Al fin de garantizar su seguridad, observe las indicaciones de las instrucciones de montaje del sistema de puertas correderas KLEIN.
- Lea las instrucciones antes de comenzar con el montaje.
- Usar únicamente componentes originales de KLEIN.
- Limpie la zona de sujeción con un producto de limpieza comercial estándar a base de alcohol antes de montar los herrajes de vidrio.
- El montaje incorrecto puede conllevar lesiones graves.
- La instalación requiere de mínimo dos personas.
- Debido a los riesgos indicados en el apartado 3, se requiere la correspondiente ropa de protección:
  - Guantes de seguridad.
  - Gafas de protección.
  - Casco de seguridad.
  - Botas de seguridad.



**Conserve las instrucciones.**

# INFORMACIÓN DE SEGURIDAD (EN)

## SAFETY INFORMATION (EN)

### GENERAL INFORMATION

- These mounting instructions are only valid for KLEIN systems.
- Metric measurements are valid. Inch measurements are for information only.
- KLEIN hardware is not suitable for use in areas where chemicals (e.g. chlorine) are used, such as indoor swimming pools, saunas or salt water pools.
- Never move the sliding panels faster than the travel speed and always stop the door manually before it reaches the end position.
- Do not slide doors with excessive force.

### EXPECTED USE

- Hardware for KLEIN systems.
- Only for sliding doors in dry interiors.
- For manual opening and closing only.

### DESIGNATED GROUP

- Only qualified and specially trained personnel are authorised to fit KLEIN glass hardware.

### REQUIREMENTS FOR GLASS AND FIXING DEVICES

- The substructure/wall must be capable of supporting system loads.
- Use the specified tightening torque.
- The clamping area must be flat and uncovered.
- Do not use glass with fractures and/or damaged edges.
- KLEIN requires the use of glass that complies with the following standards:

#### EUROPA:

- UNE EN 572-2:2012 Glass in building. Products Basic soda lime silicate glass products. Part 2: Flat glass.
- UNE EN 12150-1:2016 Glass in building. Thermally tempered safety soda-lime silicate glass. Part 1: Definition and description.
- UNE EN ISO 12543-1/6:2011 Glass in building. Glass laminated and laminated safety glass.

#### USA:

- ASTM C1036-16 Standard Specification for Flat Glass
  - ASTM C1048-12e1 Standard Specification for Heat-Strengthened and Fully Tempered Glass
  - ASTM C1172-14 Standard Specification for Laminated Architectural Flat Glass
- The permitted thickness range for fixed glass and sliding door glass in 1/2" thicknesses is from 11.91mm to 12.70mm.

### SAFETY INSTRUCTIONS

- To ensure your safety, please observe the instructions in the installation instructions for the KLEIN sliding door system.
- Read the instructions before starting assembly.
- Use only original KLEIN components.
- Clean the clamping area with a standard commercial alcohol-based cleaning agent before mounting the glass fittings.
- Incorrect assembly can lead to serious injury.
- The installation requires a minimum of two people.
- Due to the risks listed in section 3, appropriate protective clothing is required:
  - Safety gloves.
  - Protective goggles.
  - Safety helmet.
  - Safety boots..



**Keep the instructions.**

# 03 EVALUACIÓN DE LOS RIESGOS DEL PRODUCTO (ESP) PRODUCT RISK ASSESSMENT (ESP)

Likelihood of occurrence						
Frequent	5	5	10	15	20	25
Probable	4	4	8	12	16	20
Occasional	3	3	6	9	12	15
Remote	2	2	4	6	8	10
Impossible / Improbable	1	1	2	3	4	5
		1	2	3	4	5
	Severity	Product damage	Minor injury or Property Damage	Serious injury or major property damage	Grievous injury	Life threatening

	Significant (10 - 25)
	Review to determine if risk is ALARP (4 -9)
	Acceptable (1 - 3)

Mounting Risk	Probability	Impact	Result	Prevention	Probability	Impact	Final Result
Cuts by track edges	3 (Occasional)	2 (Minor injury or property damage)	6	Gloves are required for mounting. The product must be installed by authorized personnel only.	1 (Impossible)	2 (Minor injury or property damage)	3
Hits by track	3 (Occasional)	3 (Serious injury or major property damage)	6	The track must be fixed by a sufficient number of workers according to the length of the track. The product must be installed by authorized personnel only.	1 (Impossible)	3 (Serious injury or major property damage)	3
Fall of the track	2 (Remote)	3 (Serious injury or major property damage)	6	The track must be fixed to a levelled and solid enough structure. The product must be installed by authorized personnel only.	1 (Impossible)	3 (Serious injury or major property damage)	3
Fall of the door	2 (Remote)	3 (Serious injury or major property damage)	6	Stoppers inside of the track must be fixed correctly according to the mounting instructions. The product must be installed by authorized personnel only.	1 (Impossible)	3 (Serious injury or major property damage)	3

Mounting Risk	Probability	Impact	Result	Prevention	Probability	Impact	Final Result
Door hitting	3 (Occasional)	2 (Minor injury or property damage)	6	Never move sliding panels faster than walking speed. Always stop the door manually before it reaches end position.	1 (Impossible)	2 (Minor injury or property damage)	2

# EVALUACIÓN DE LOS RIESGOS DEL PRODUCTO (EN)

## PRODUCT RISK ASSESSMENT (EN)

Likelihood of occurrence						
Frequent	5	5	10	15	20	25
Probable	4	4	8	12	16	20
Occasional	3	3	6	9	12	15
Remote	2	2	4	6	8	10
Impossible / Improbable	1	1	2	3	4	5
		1	2	3	4	5
	Severity	Product damage	Minor injury or Property Damage	Seriuos injury or major property damage	Grievious injury	Life threatening

	Significant (10 - 25)
	Review to determine if risk is ALARP (4 -9)
	Acceptable (1 - 3)

Mounting Risk	Probability	Impact	Result	Prevention	Probability	Impact	Final Result
Cuts by track edges	3 (Occasional)	2 (Minor injury or porperty damage)	6	Gloves are required for mounting. The product must be installed by authorized personnel only.	1 (Impossible)	2 (Minor injury or porperty damage)	3
Hits by track	3 (Occasional)	3 (Serious injury or major porperty damage)	6	The track must be fixed by a sufficient number of workers according to the lenght of the track. The product must be installed by authorized personnel only.	1 (Impossible)	3 (Serious injury or major porperty damage)	3
Fall of the track	2 (Remote)	3 (Serious injury or major porperty damage)	6	The track must be fixed to a levelled and solid enough structure. The product must be installed by authorized personnel only.	1 (Impossible)	3 (Serious injury or major porperty damage)	3
Fall of the door	2 (Remote)	3 (Serious injury or major porperty damage)	6	Stoppers inside of the track must be fixed correctly according to the mounting instructions. The product must be installed by authorized personnel only.	1 (Impossible)	3 (Serious injury or major porperty damage)	3

Mounting Risk	Probability	Impact	Result	Prevention	Probability	Impact	Final Result
Door hitting	3 (Occasional)	2 (Minor injury or porperty damage)	6	Never move sliding panels faster than walking speed. Always stop the door manually before it reaches end position.	1 (Impossible)	2 (Minor injury or porperty damage)	2

# 04 INFORMACIÓN GENERAL

## GENERAL INFORMATION



Peso máximo puerta 80 kg  
Maximum door weight 176 lbs



Altura puerta max 3 m  
Maximum door height 10'



Espesor vidrio 10 mm  
Glass thickness 3/8"

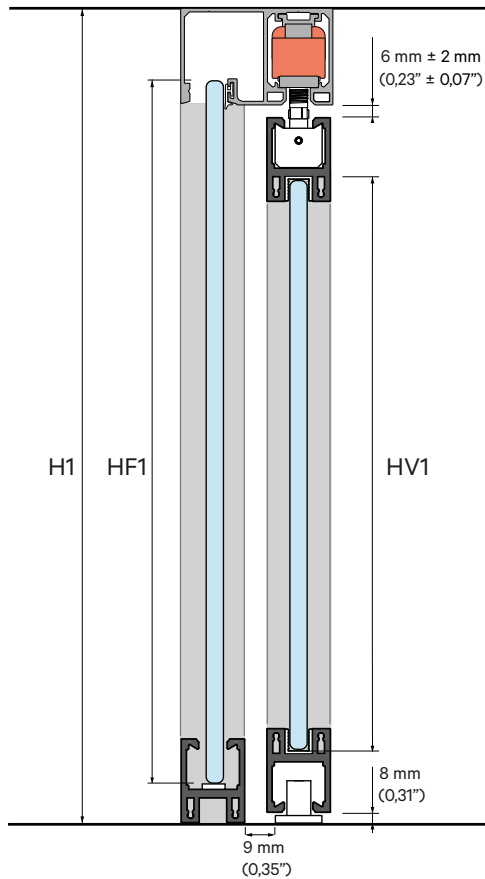


Ancho puerta 0,75 m - 1,5 m  
Door width 30" - 59"

RELACIÓN ANCHO ALTO  
WIDHT HEIGHT RELATION

1:3  
1:3

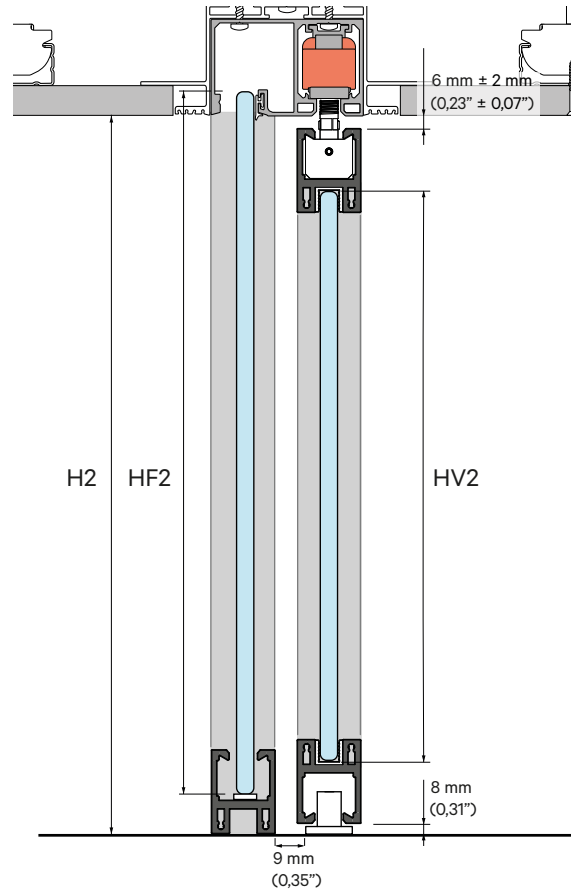
### 1 Perfil Visto | Exposed Track



$$HV1 = H1 - 112 \text{ mm (4,40")}$$

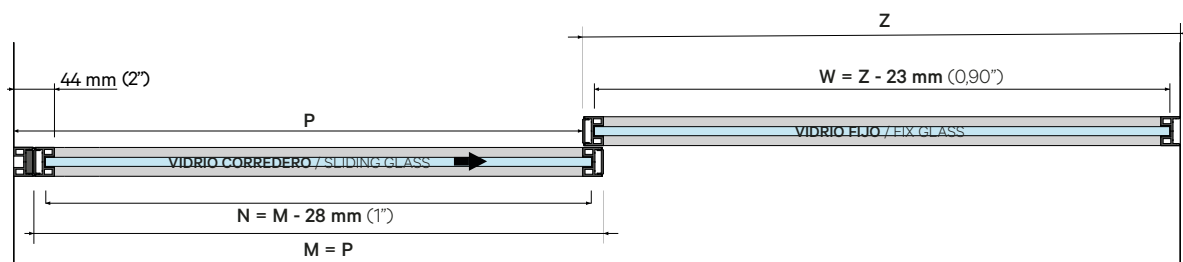
$$HF1 = H1 - 47 \text{ mm (1,85")}$$

### 2 Perfil empotrado "TOP" | Recessed Track



$$HV2 = H2 - 84 \text{ mm (3,30")}$$

$$HF2 = H2 - 27,5 \text{ mm (1,08")}$$



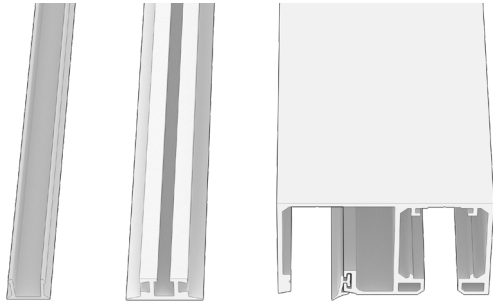


# 05 ELEMENTOS DE LA INSTALACIÓN

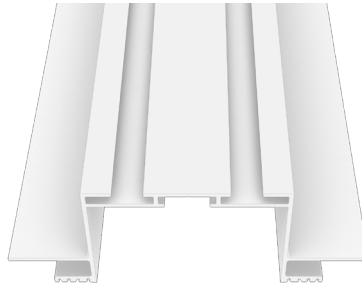
## ITEMS OF INSTALLATION



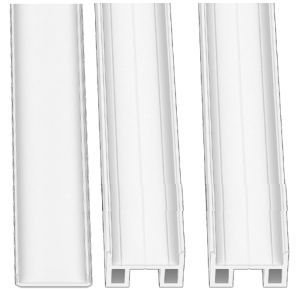
**PERFIL SUPERIOR FRONT**  
UPPER FRONT PROFILE



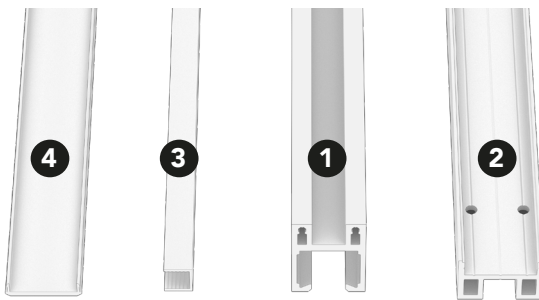
**PERFIL FALSO TECHO**  
FALSE CEILING PROFILE



**JGO. PERFILES VERTICALES**  
SET VERTICAL PROFILE



**PERFILERIA FRAME**  
TRACKS FRAME



- 1** ▶ Perfil Horizontal  
Horizontal Profile ..... 2 unidades / units
- 2** ▶ Perfil Vertical  
Vertical Profile ..... 2 unidades / units
- 3** ▶ Junta  
Seal ..... 1 unidad / unit
- 4** ▶ Tapa  
Cover ..... 2 unidades / units

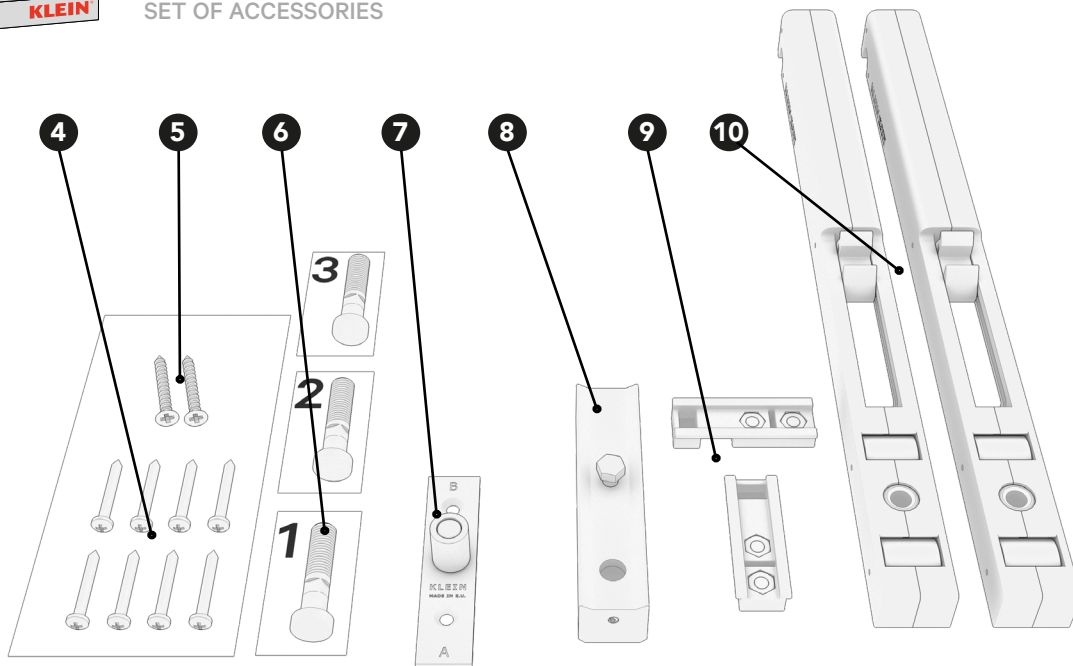
**PERFIL RECEPTOR**  
RECEIVER PROFILE



OPCIONAL  
OPTIONAL



**JUEGO DE ACCESORIOS**  
SET OF ACCESSORIES



**BOLSA DE TORNILLOS / SCREW BAG**

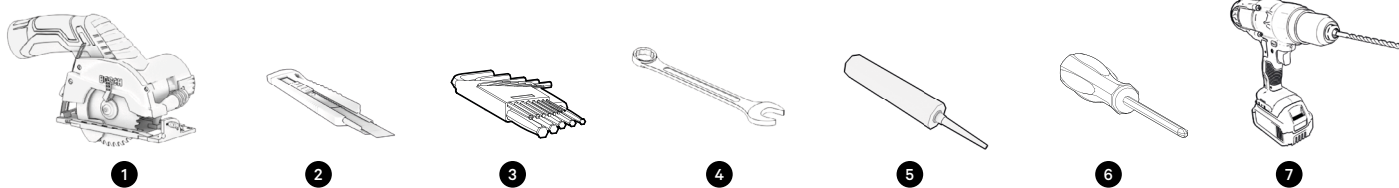
- 4** ▶ Tornillo - Cabeza Redonda  
Screw - Round Head ..... 8 unidades / units
- 5** ▶ Tornillo - Cabeza Plana  
Screw - Flat Head ..... 2 unidades / units

**BOLSA PERNO / BOLT BAG NUM: 3**

- 6** ▶ Perno  
Bolt ..... 2 unidades / units

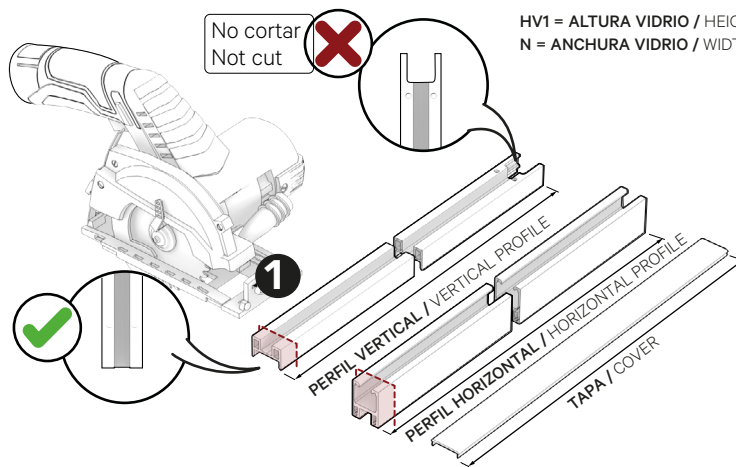
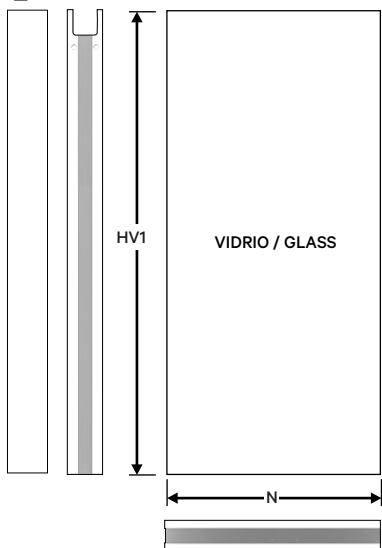
- 7** ▶ Guía  
Guide ..... 1 unidad / unit
- 8** ▶ Cuerpo Suspensión  
Suspension Body ..... 2 unidades / units
- 9** ▶ Activador  
Activator ..... 2 unidades / units
- 10** ▶ KSC  
KSC ..... 2 unidades / units

# 06 HERRAMIENTAS NECESARIAS REQUIRED TOOLS



- 1** ▶ Sierra  
Saw
- 2** ▶ Cutter  
Cutter
- 3** ▶ Llave Allen #2  
Allen key#2
- 4** ▶ Llave Inglesa #8 y #6  
Wrench #8 and #6
- 5** ▶ Bote de Silicona  
Silicone Tube
- 6** ▶ Destornillador PZ 2  
Screwdriver PZ 2
- 7** ▶ Taladro  
Drill

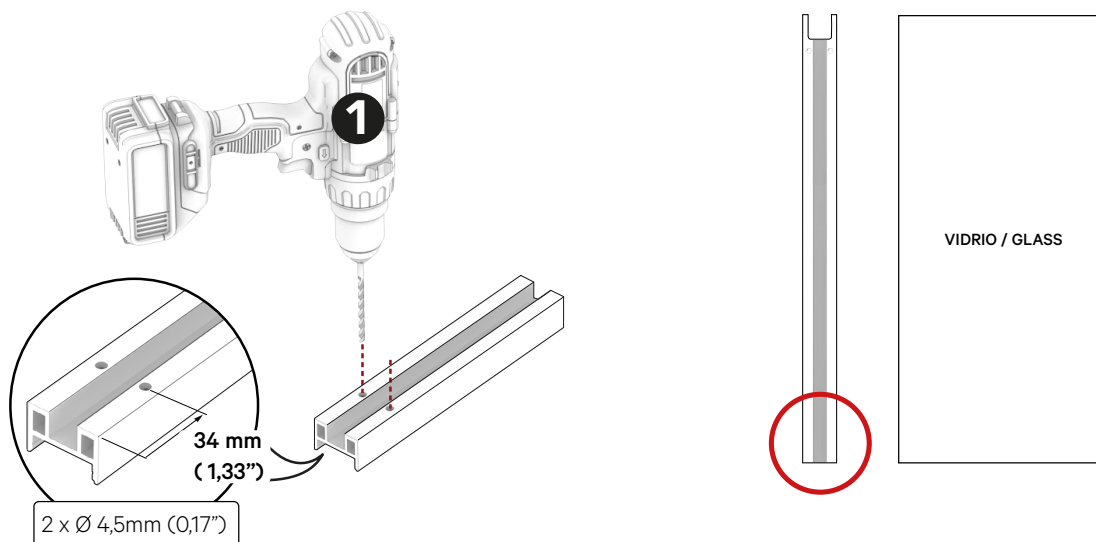
# 07 CORTE PERFILES + TAPA - VIDRIO CORREDERO PROFILE + COVER CUTTING - SLIDING GLASS



HV1 = ALTURA VIDRIO / HEIGHT  
N = ANCHURA VIDRIO / WIDTH GLASS

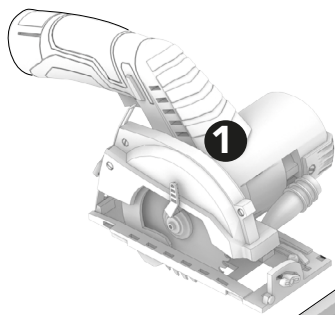
PERFIL VERTICAL / VERTICAL PROFILE = HV1 + 56 mm (2,20")  
 PERFIL HORIZONTAL / HORIZONTAL PROFILE = N - 16 mm (0,62")  
 PERFIL VERTICAL / VERTICAL PROFILE = TAPA / COVER

# 08 MECANIZADOS PERFILES - VIDRIO CORREDERO MACHINED PROFILES - SLIDING GLASS

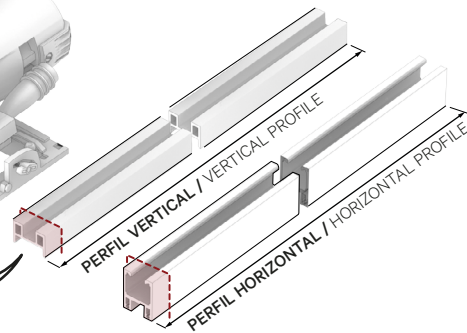
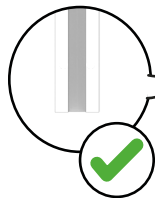


# 09 CORTE PERFILES - VIDRIO FIJO

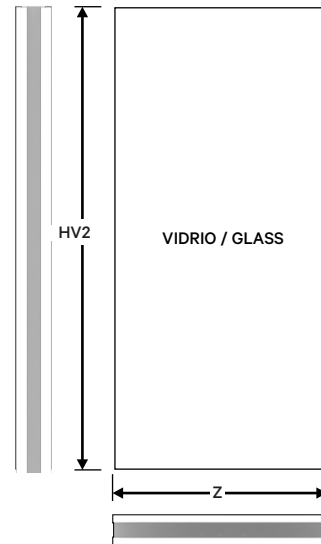
## PROFILE CUTTING - FIXED GLASS



HV2 = ALTURA VIDRIO / HEIGHT  
Z = ANCHURA VIDRIO / WIDTH GLASS

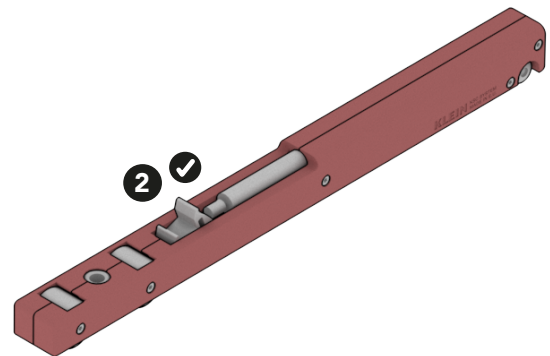
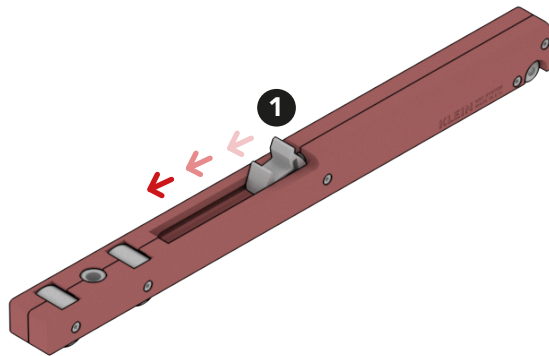


PERFIL VERTICAL / VERTICAL PROFILE = HV2 - 42 mm (25,4")  
PERFIL HORIZONTAL / HORIZONTAL PROFILE = Z - 20 mm (0,78")



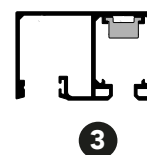
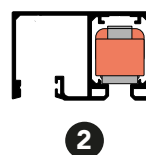
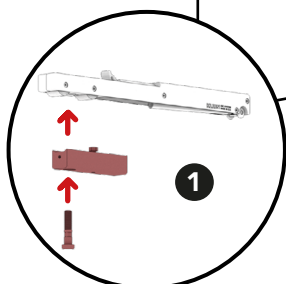
# 10 ACTIVACIÓN KSC

## ACTIVATE KSC

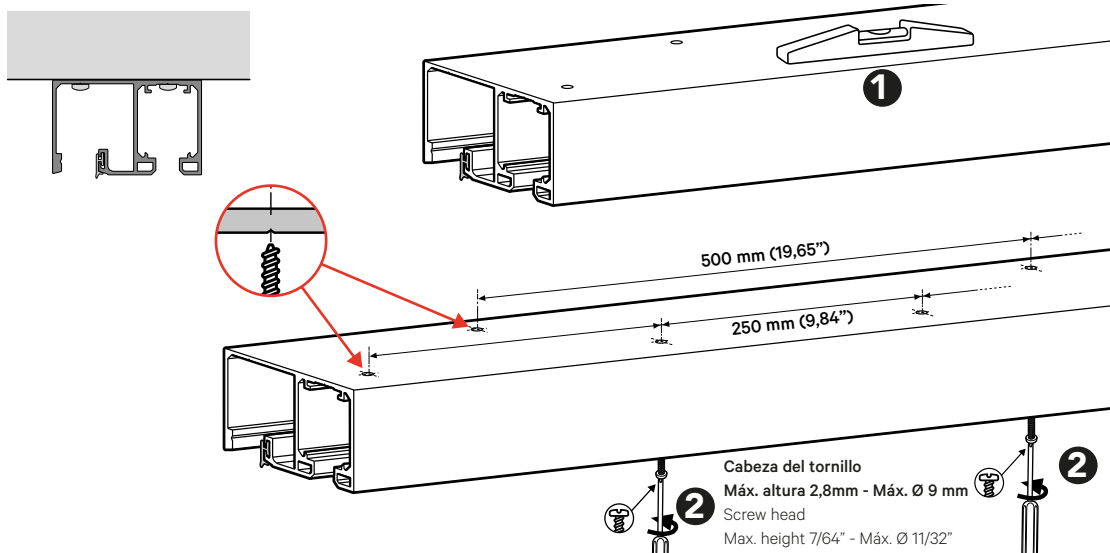


# 11 ENFILAR KSC + ACTIVADOR EN EL PERFIL

## THREAD KSC + ACTIVATOR INTO THE PROFILE

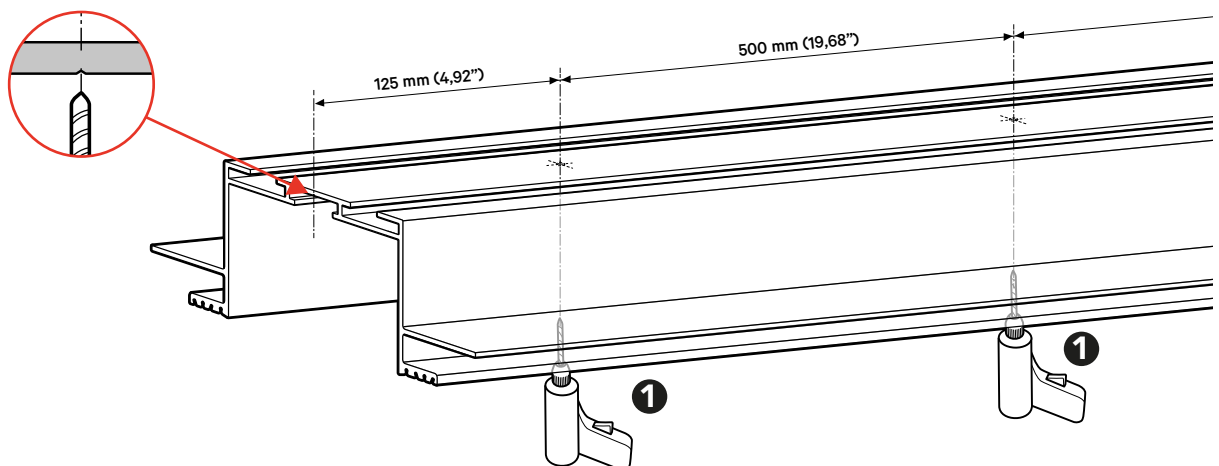


# 12a FIJACIÓN A TECHO CEILING ATTACHMENT

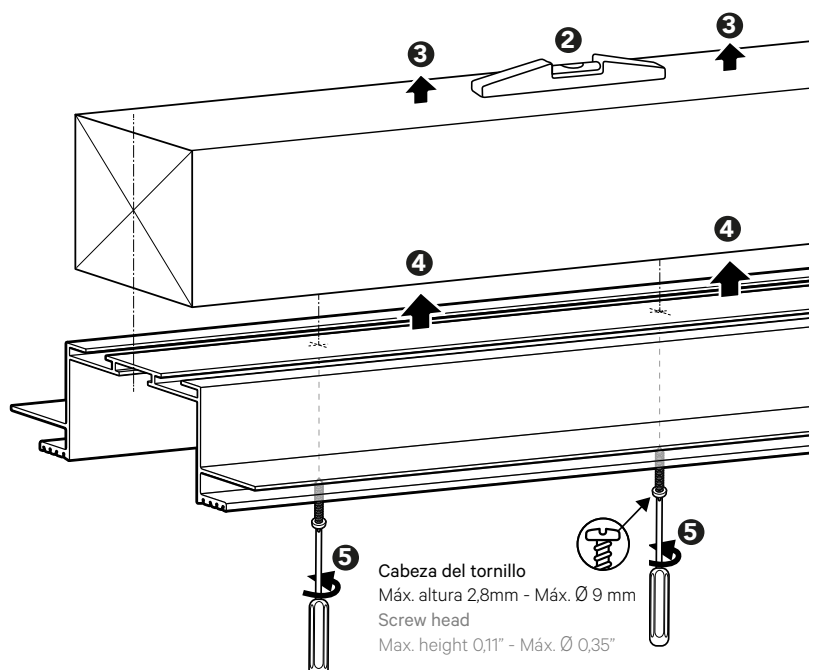
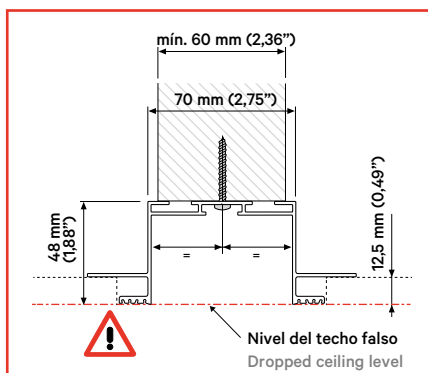


# 12b MONTAJE FALSO TECHO FALSE CEILING INSTALLATION

FASE 1 - MONTAJE PERFIL MARCO  
STEP 1 - FRAME TRACK MOUNTING

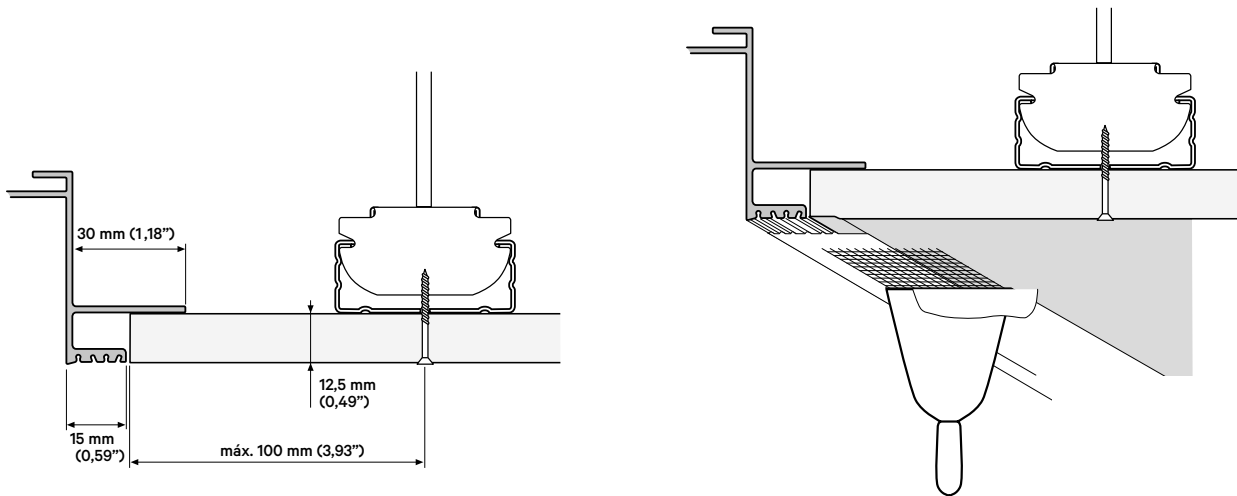


PLACAS DE 12,5mm DE ESPESOR  
1/2" PLASTERBOARDS THINCKNESS



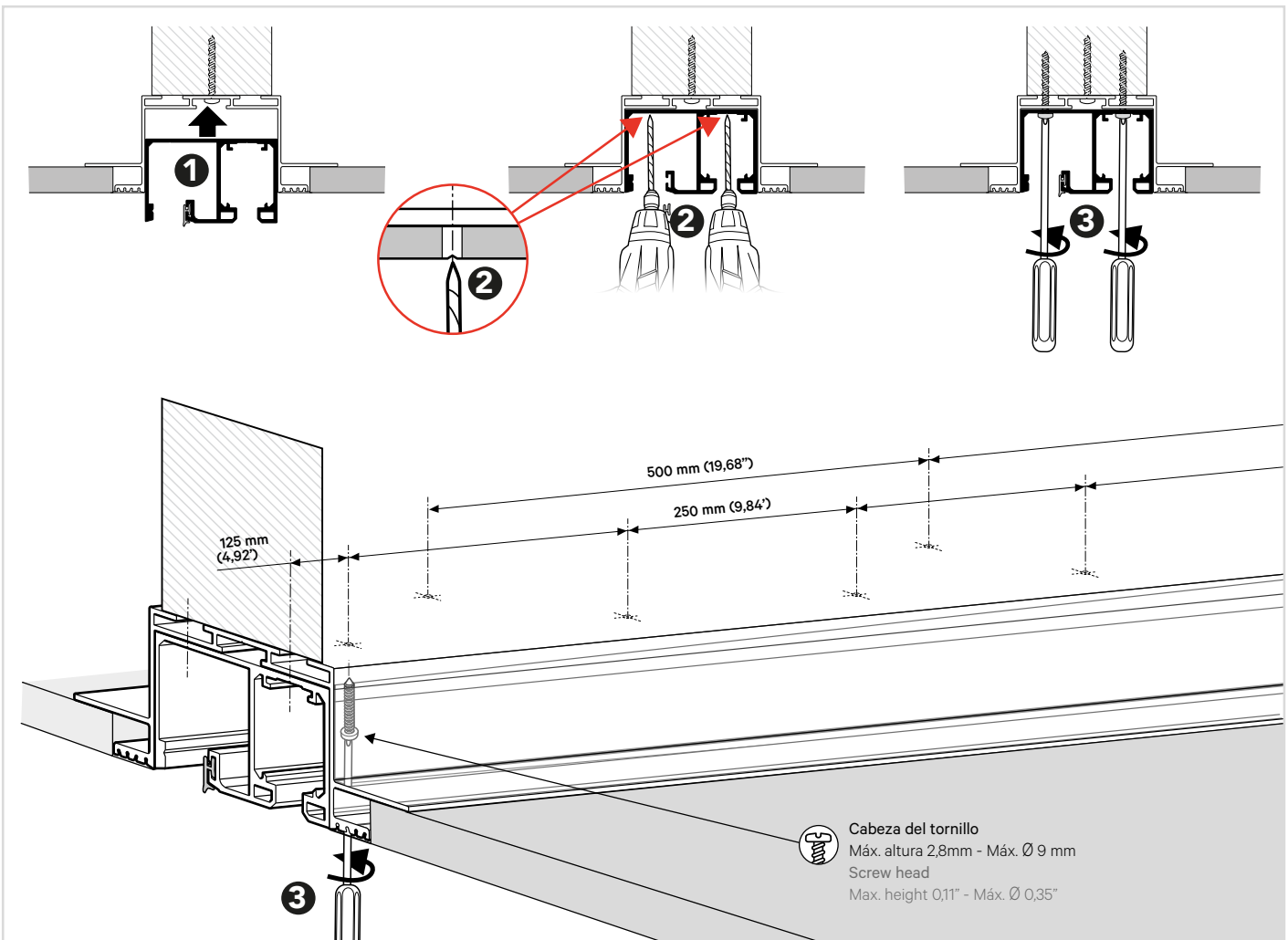
**FASE 2 - ENCUENTRO A FALSO TECHO**  
**STEP 2 - RECESSED CONNECTION**

**JUNTA ENTRE PERFIL MARCO Y PANEL**  
**JOINT BETWEEN FRAME TRACK AND PLASTERBOARD**



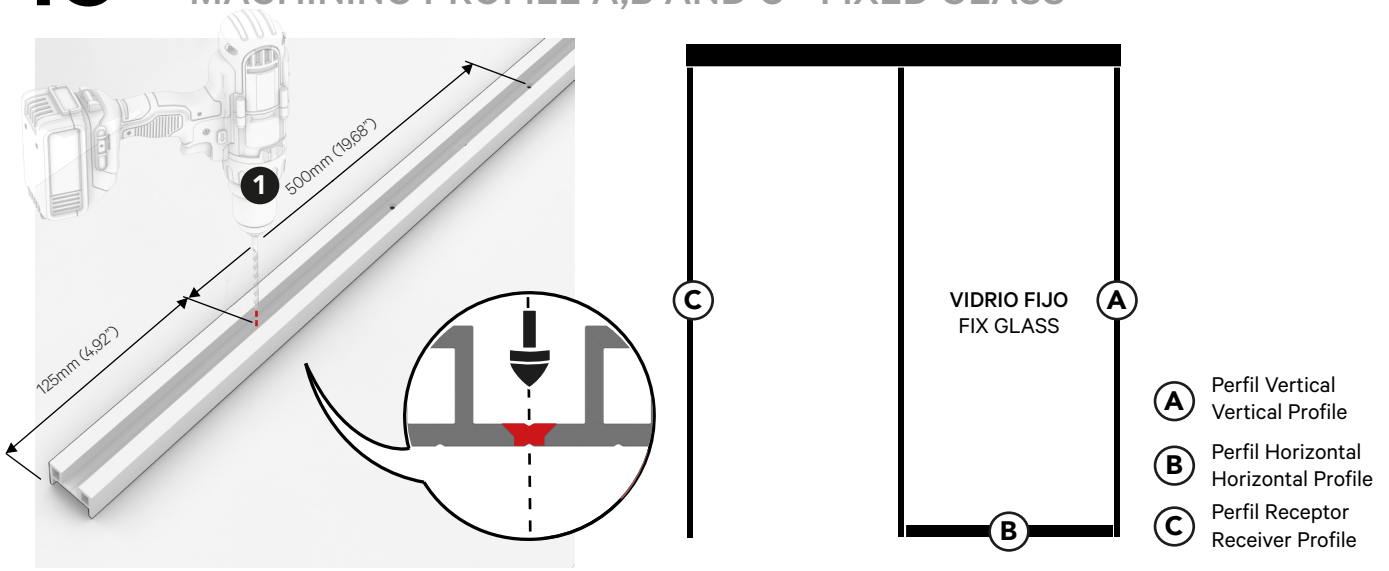
**SEGUIR LAS INDICACIONES DEL FABRICANTE DE PLACAS DE YESO LAMINADO PARA LA JUNTA**  
**FOLLOW THE INSTRUCTIONS OF THE PLASTERBOARD MANUFACTURER FOR THE JOINT**

**FASE 3 - MONTAJE PERFIL SUPERIOR**  
**STEP 3 - UPPER TRACK MOUNTING**



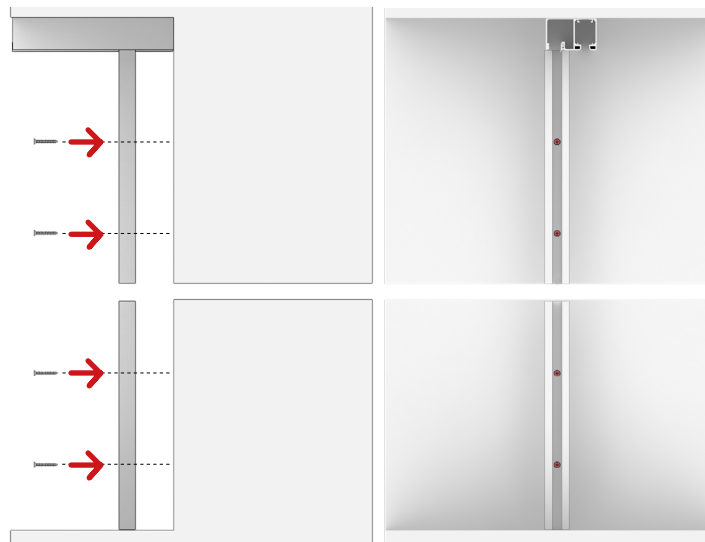
# 13

## MECANIZACIÓN PERFIL A, B Y C - VIDRIO FIJO MACHINING PROFILE A, B AND C - FIXED GLASS



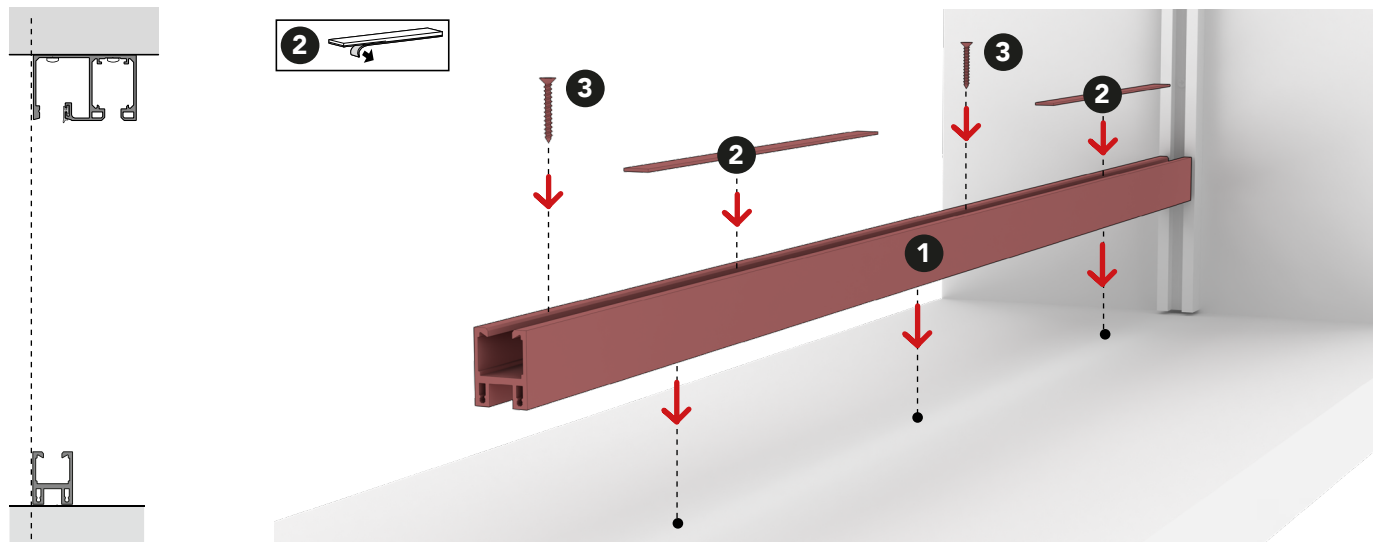
# 14

## COLOCACIÓN PERFIL VERTICAL A VERTICAL PROFILE PLACEMENT A



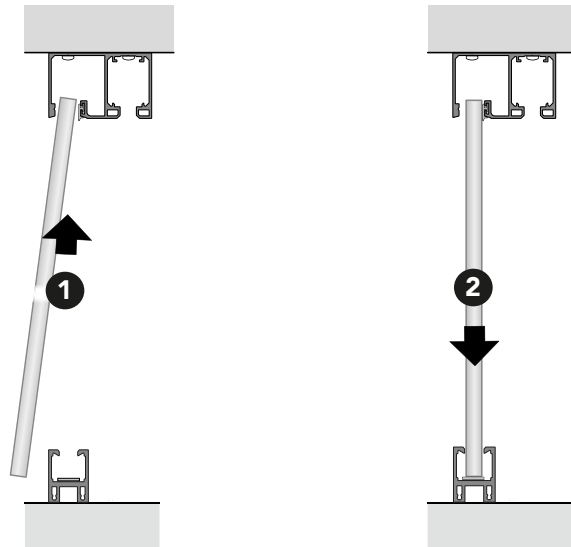
# 15

## COLOCACIÓN PERFIL INFERIOR B PLACEMENT OF BOTTOM PROFILE B



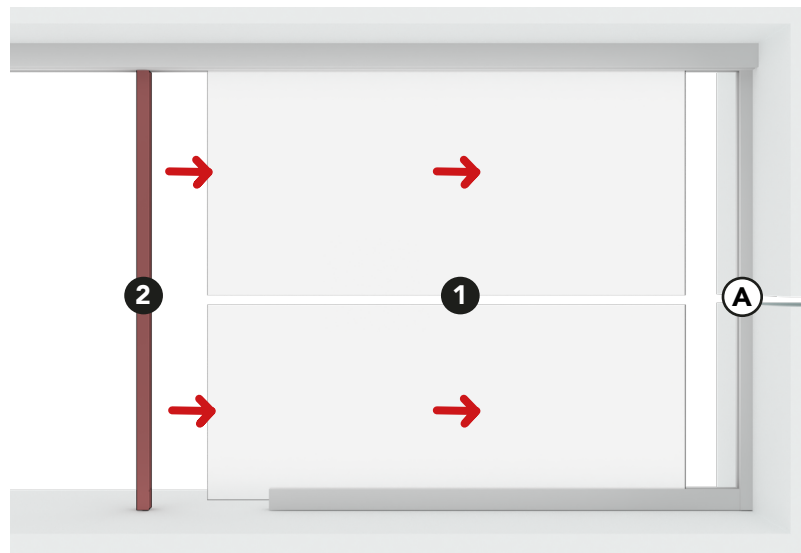
# 16

COLOCACIÓN VIDRIO FIJO  
INSTALL FIXED GLASS



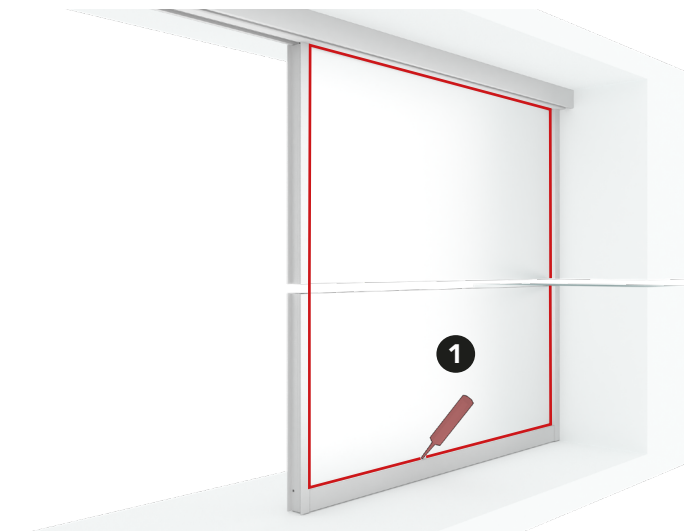
# 17

DESPLAZAMIENTO VIDRIO FIJO HASTA PERFIL VERTICAL A  
MOVE FIXED GLASS TO VERTICAL PROFILE A

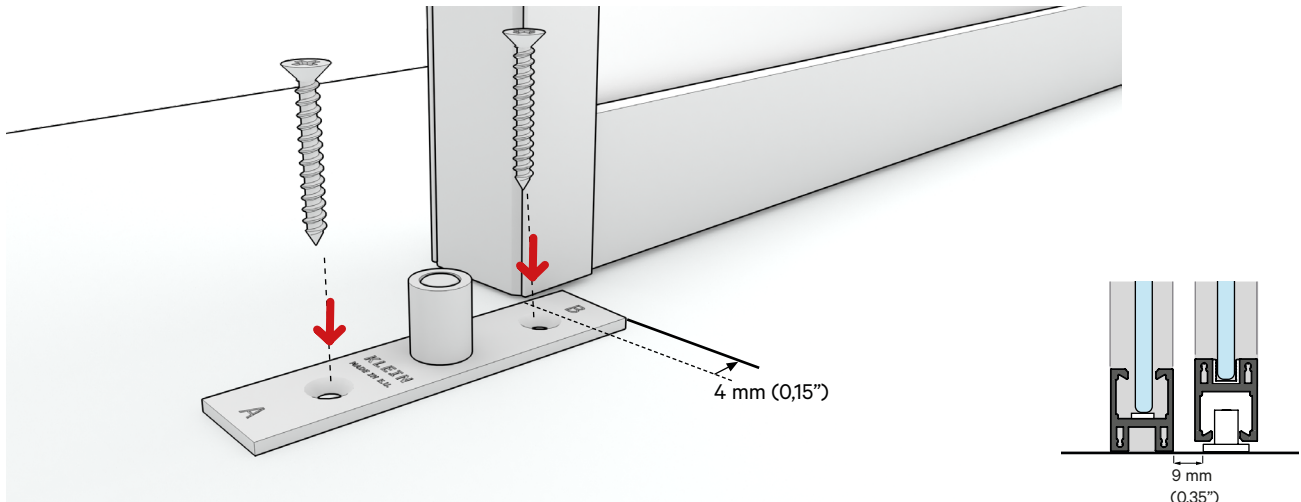


# 18

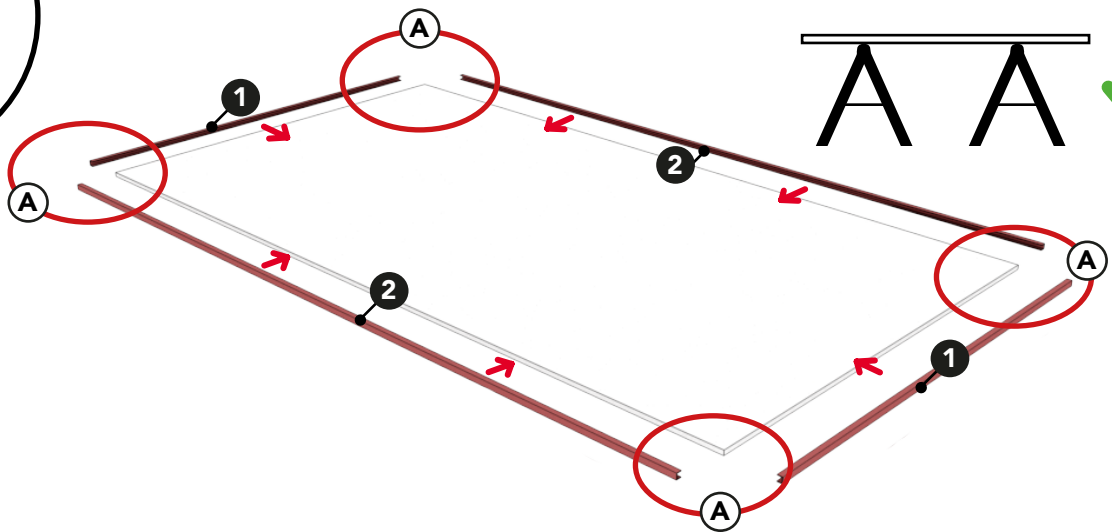
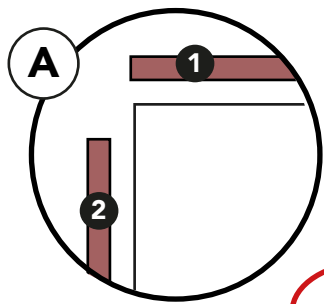
SELLADO CON SILICONA  
SEAL WITH SILICONE



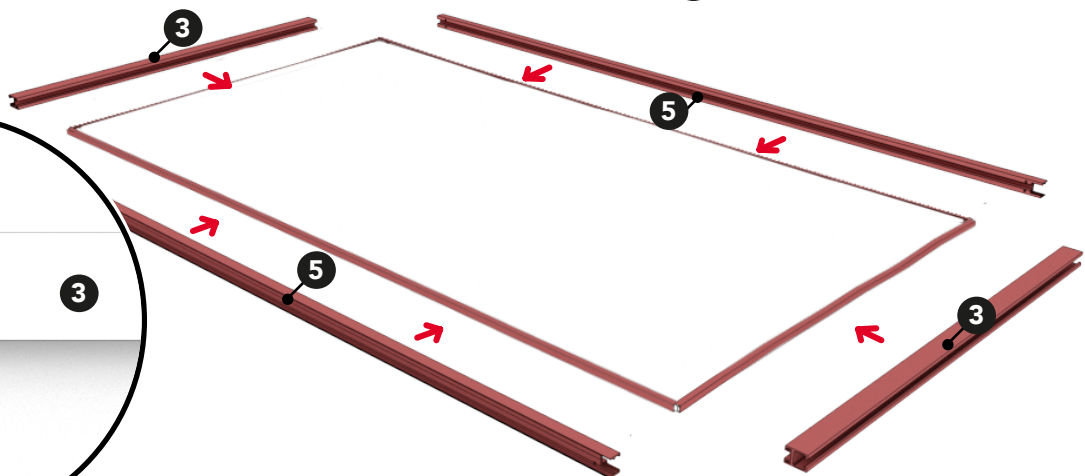
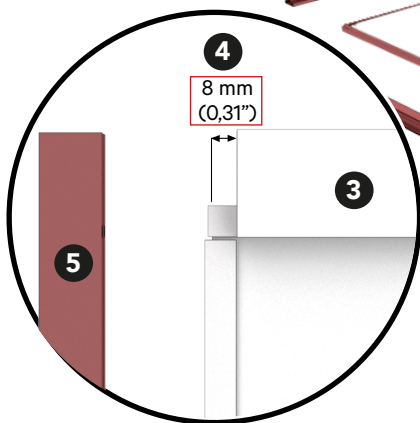
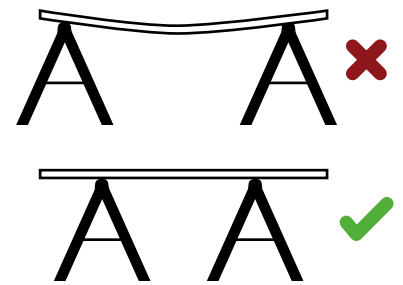
# 19 MONTAJE GUIADOR ASSEMBLY GUIDE



# 20 MONTAJE DE LAS JUNTAS + PERFILES ASSEMBLY OF SEALS + PROFILES



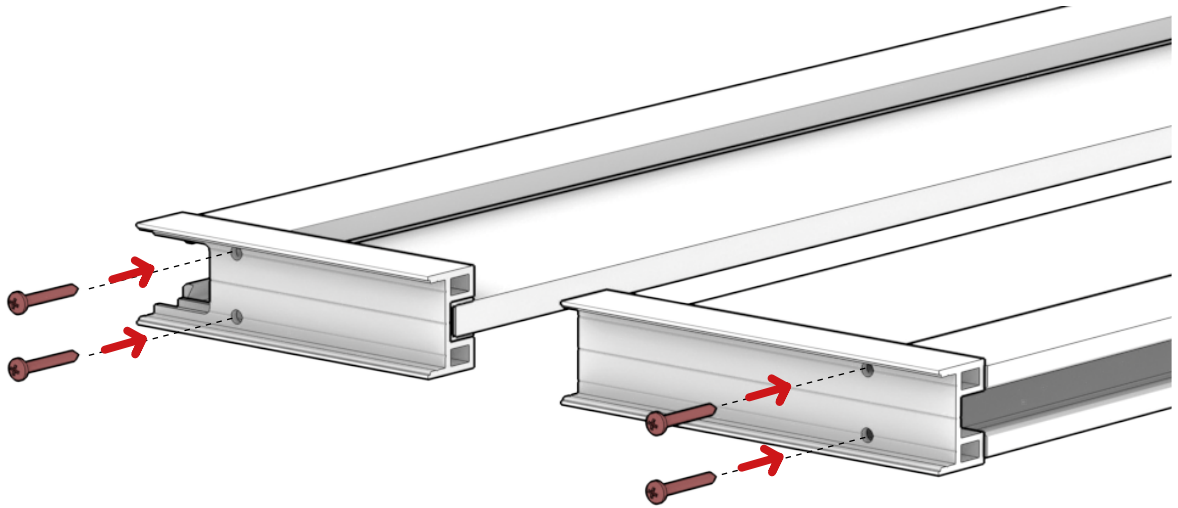
VIGILAR CON EL PANDEO DEL VIDRIO  
WATCH OUT FOR GLASS DEFLECTION





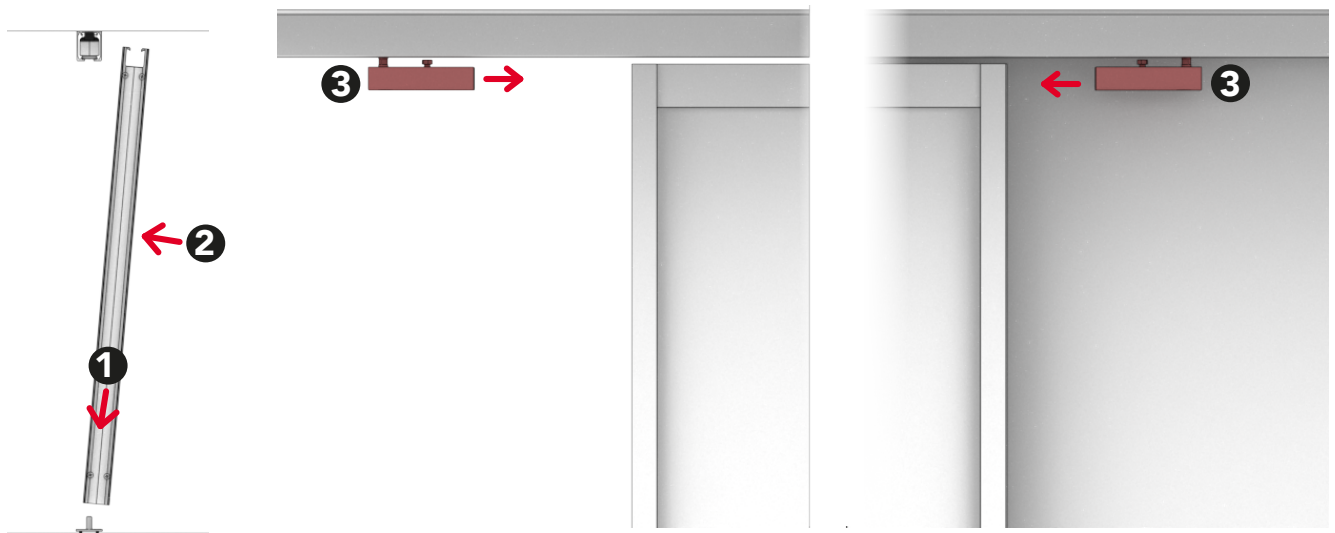
# 21

FIJACIÓN PERFILES  
FIX PROFILES



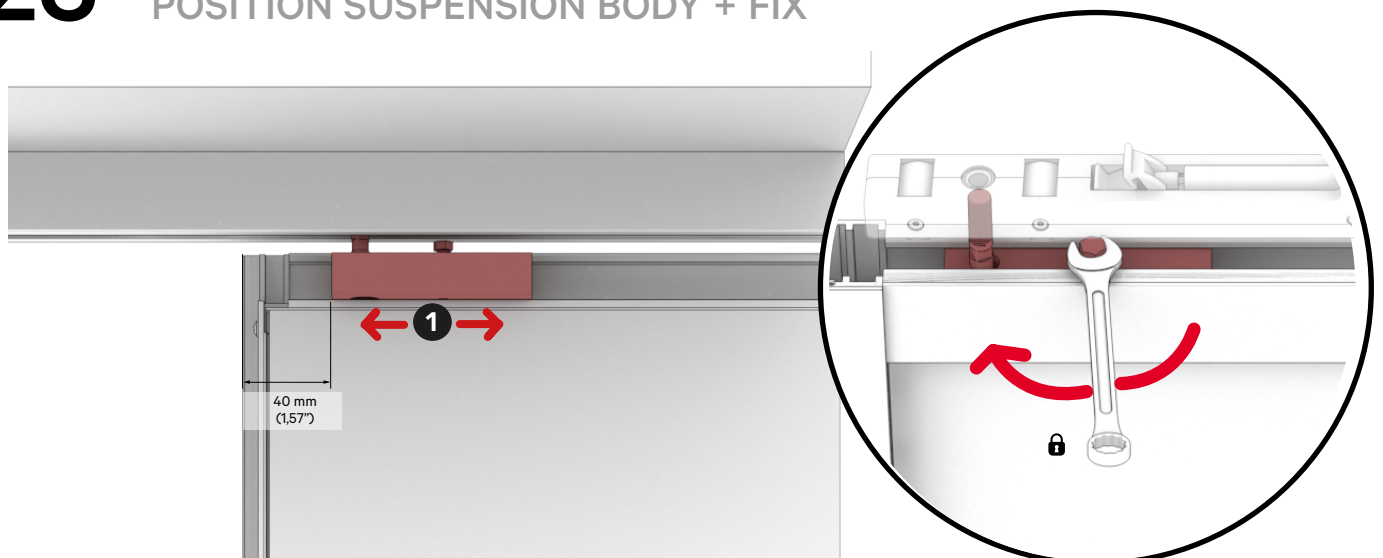
# 22

COLOCACIÓN PUERTA  
PLACE DOOR

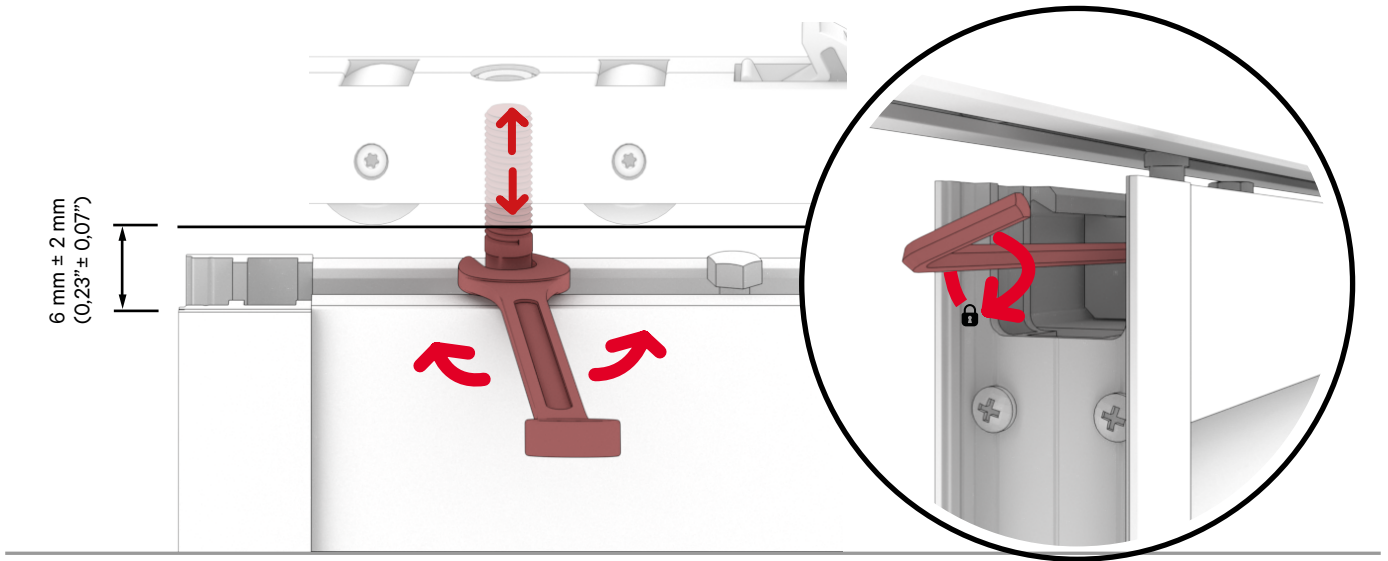


# 23

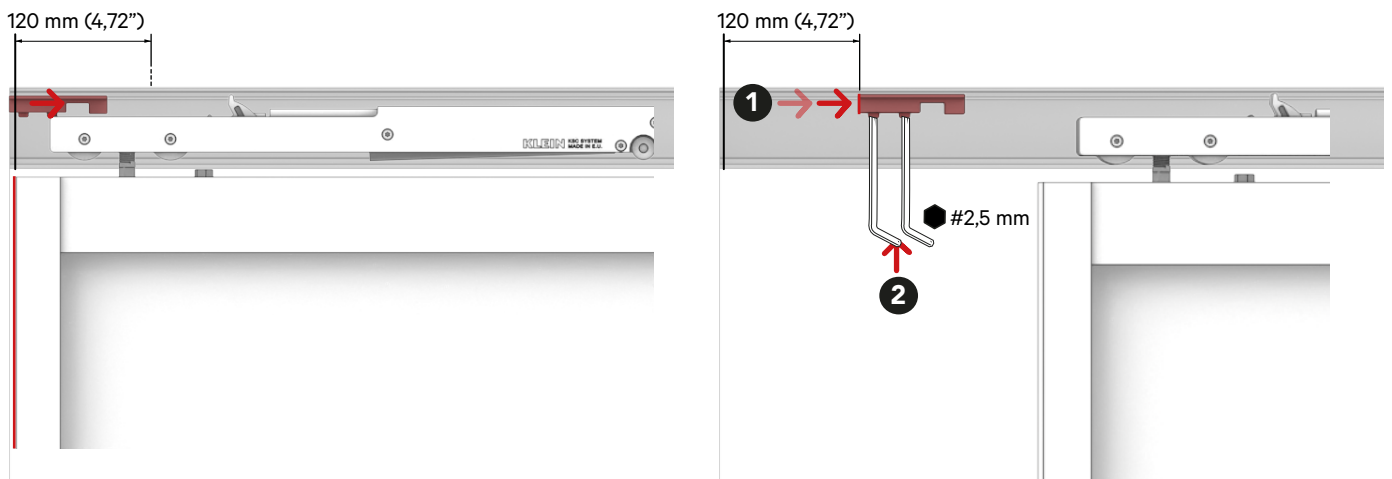
POSICIONAMIENTO CUERPO DE SUSPENSIÓN + FIJAR  
POSITION SUSPENSION BODY + FIX



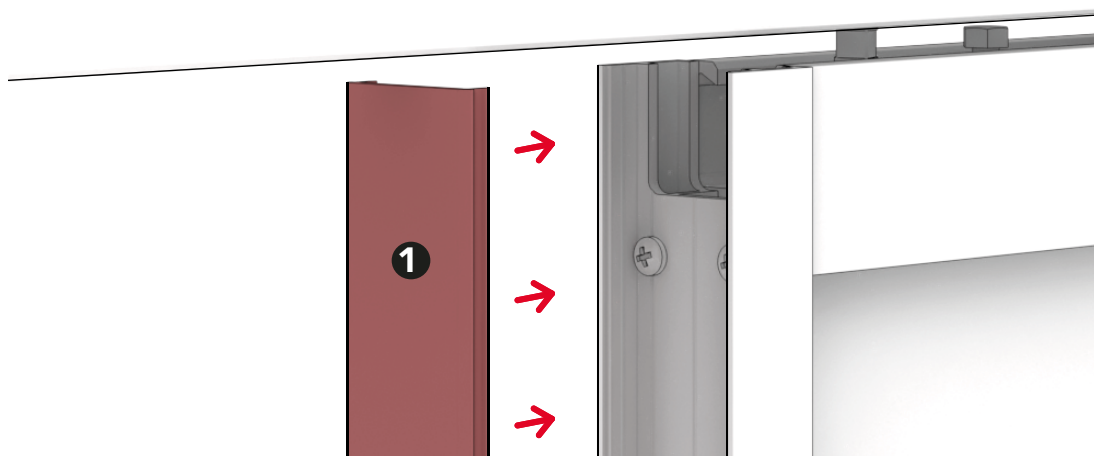
# 24 REGULACIÓN EN ALTURA HEIGHT ADJUSTMENT



# 25 POSICIONAMIENTO ACTIVADORES POSITION ACTIVATORS

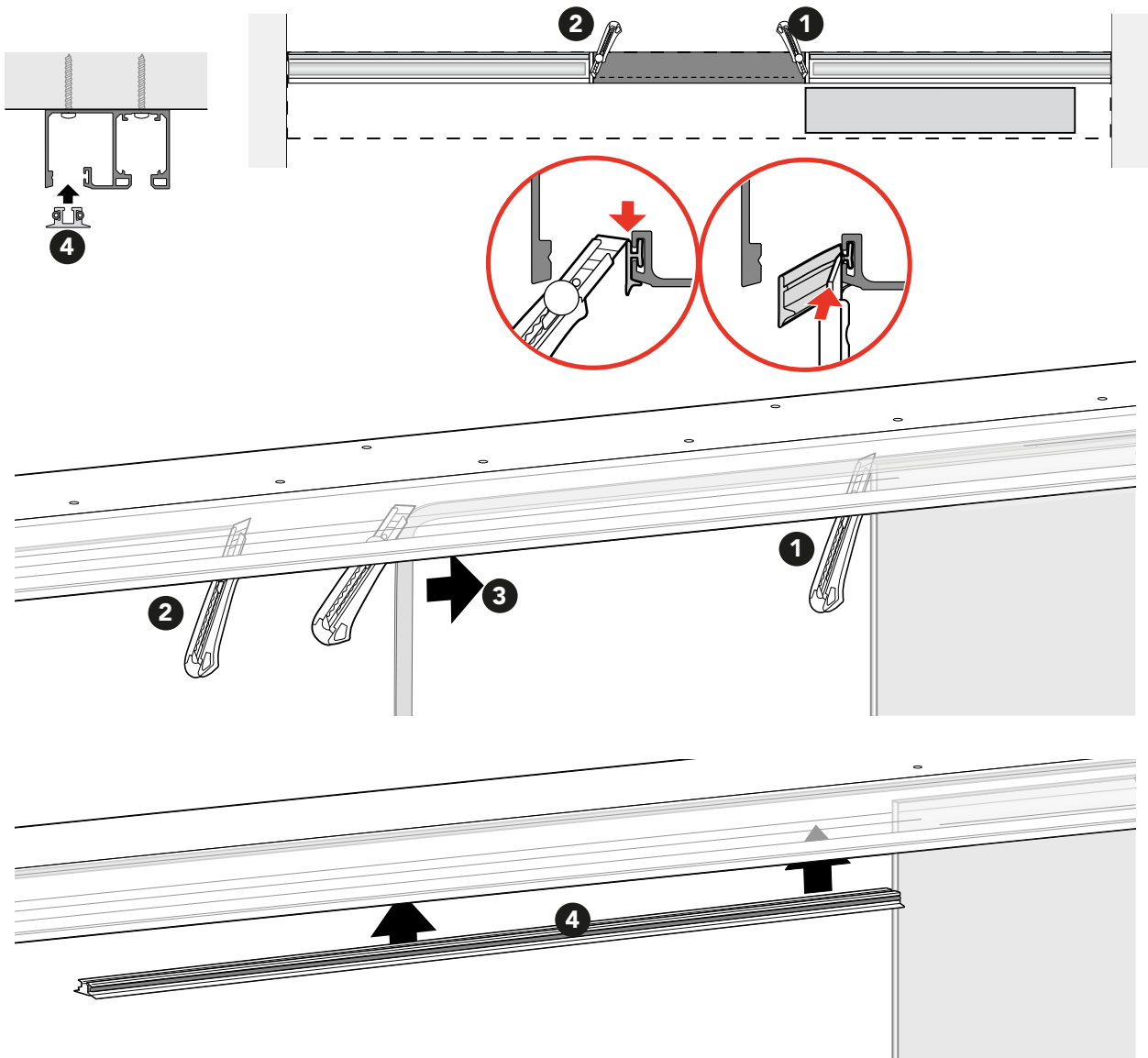


# 26 COLOCACIÓN TAPAS PLACE COVERS



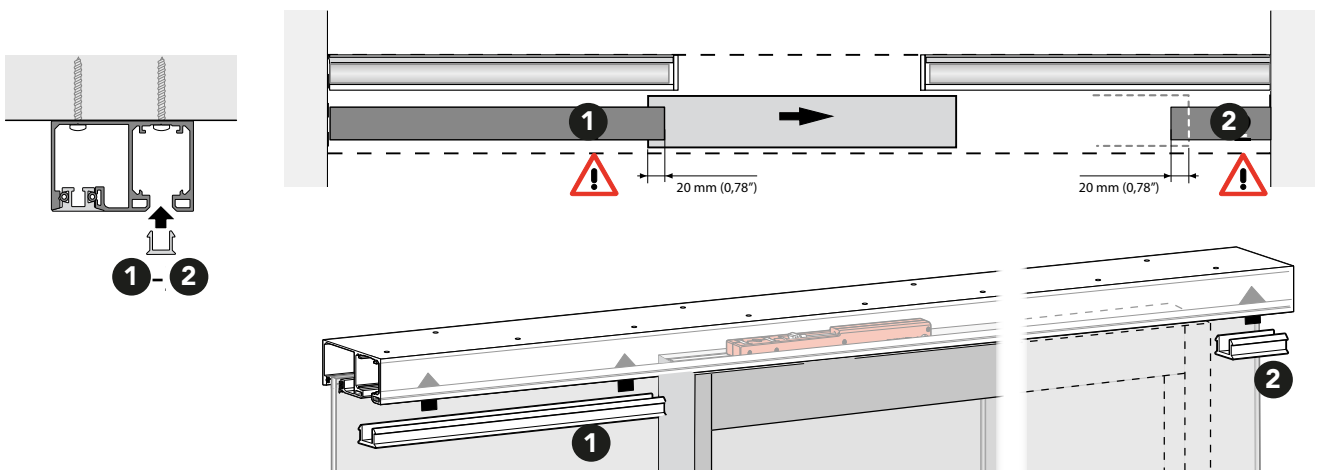
# 27

## COLOCACIÓN DEL TAPABOCAS DEL CANAL DEL VIDRIO FIJO INSTALLATION OF THE CHANNEL COVER FOR THE FIXED GLASS

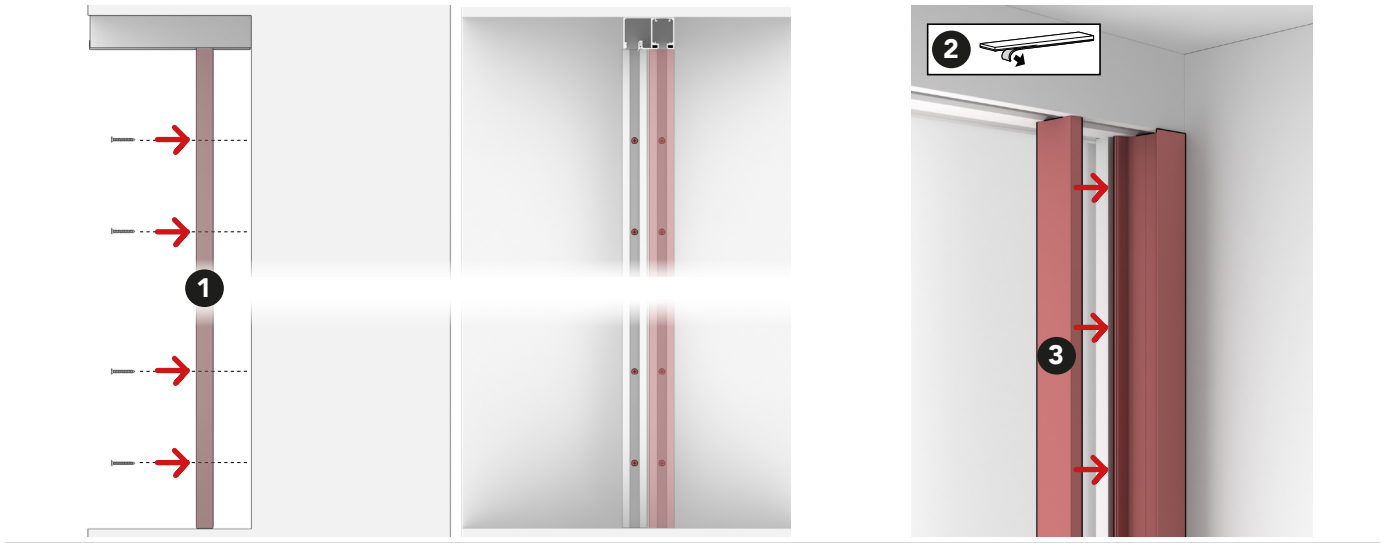


# 28

## COLOCACIÓN DEL TAPABOCAS DEL CANAL DEL VIDRIO CORREDERO INSTALLATION OF THE CHANNEL COVER FOR THE SLIDING GLASS



# 29 COLOCACIÓN PERFIL RECEPTOR PLACEMENT OF RECEIVER PROFILE



**Limited Warranty.**

- (1) KLEIN IBERICA, S.A.U. & KLEIN USA, Inc. warrants to the immediate customer only that the delivered goods are free of original material defects and defects in workmanship for a period of five years from date of receipt by the customer. All warranty claims are subject to inspection by KLEIN IBERICA, S.A.U. & KLEIN USA, Inc. prior to KLEIN IBERICA, S.A.U. & KLEIN USA, Inc. providing a remedy for the warranty claim.
- (2) Excluded from this warranty are products, or parts of them, subject to wear through use, and products which have not been used in accordance with their technical characteristics and for purposes for which they have not been designed, being understood that the products sold by KLEIN IBERICA, S.A.U. & KLEIN USA, Inc. are designed exclusively for the enclosure of spaces, with the enclosing running precisely in the longitudinal sense.
- (3) Also excluded from this warranty are those products in which the limits expressed in the product documentation have been exceeded for weights and dimension supported by the product, and/or recommendations for the qualities of the material to which the products sold by KLEIN IBERICA, S.A.U. & KLEIN USA, Inc. are fixed have not been complied with.
- (4) KLEIN IBERICA, S.A.U. & KLEIN USA, Inc. makes no warranty with respect to the following: a) materials not manufactured by KLEIN IBERICA, S.A.U. & KLEIN USA, Inc. or any other group companies, the use of which is suggested by KLEIN IBERICA, S.A.U. & KLEIN USA, Inc. or any other group companies general recommendations, application or installation procedures or otherwise; b) All display items sold by KLEIN IBERICA, S.A.U. & KLEIN USA, Inc. to the Customer.
- (5) Warranties are exclusive, and in lieu of all other warranties, express or implied, written or oral, including but not limited to, any implied warranty of merchantability or fitness for any particular purpose. KLEIN IBERICA, S.A.U. & KLEIN USA, Inc. does not assume, nor authorize any representative or other person to assume for it, any obligation or liability other than as expressly set forth herein.
- (6) For the warranty to take effect, the defective product must be sent with the voucher or purchase invoice to the Company, which will then process to repair or replace the product, at its choice.
- (7) KLEIN IBERICA, S.A.U. & KLEIN USA, Inc. will accept no other responsibility than the repair or replacement of the product and only for the purchaser of the product, so the rights granted by this warranty may not be assigned to third parties.

**Extent of liability.**

- (1) In case of a breach of contractual obligations, defective deliveries, tortuous acts or producers liability, KLEIN IBERICA, S.A.U. & KLEIN USA, Inc. shall only be obliged to compensate damages or expenses –subject to any other contractual or statutory conditions for liability– if it acted intentionally or with gross negligence or in cases of minor negligence, if such negligence results in the breach of an essential contractual duty (a duty the breach of which puts the fulfillment of the purpose of the contract at risk). The liability of KLEIN IBERICA, S.A.U. & KLEIN USA, Inc. shall be limited to typical damages which are foreseeable at the time of the conclusion of the contract.
- (2) The liability of KLEIN IBERICA, S.A.U. & KLEIN USA, Inc. for losses caused by late delivery due to minor negligence shall be limited to 5% of the agreed purchase price.
- (3) The exclusions and limitations of liability in sections (1) – (2) shall not apply in cases where KLEIN IBERICA, S.A.U. & KLEIN USA, Inc. has maliciously failed to disclose a defect, in case of damages resulting from death, injury to health or physical injury where the laws on product liability impose overriding liabilities which cannot be excluded.
- (4) The limitation period for claims against KLEIN IBERICA, S.A.U. & KLEIN USA, Inc. –based on whatever legal ground- is 12 months from the date of delivery to the customer and in case of tortuous claims 12 months from the date the customer becomes aware or would have become aware of the grounds giving rise to a claim and the liable person had he not been grossly negligent. The provisions in this section (4) shall neither apply in cases of intentional or gross negligent breaches of duty nor shall they apply in cases referred to in section 13. (3).

**Force Majeure.**

- (1) KLEIN IBERICA, S.A.U. & KLEIN USA, Inc. shall not be liable for any default or delay in the production or delivery of all or any goods resulting either directly or indirectly from: a) Accidents to, breakdowns, or mechanical failure of KLEIN IBERICA, S.A.U. & KLEIN USA, Inc. or any other group companies' plant, machinery or equipment, strikes or other labour troubles, labour shortages, fire, flood, wars, acts of the public enemy, acts of God, delays of suppliers, delays in transportation or lack of transportation facilities, embargos, shortages or reductions of energy sources, priorities, allocations, limitations, restrictions or other acts required or requested by federal, state or local governments or any other bureau or agency thereof; b) Any action beyond the control of the Company.
- (2) In no event shall KLEIN IBERICA, S.A.U. & KLEIN USA, Inc. or any other group companies be liable for any consequential, special, or contingent damages arising out of KLEIN IBERICA, S.A.U. & KLEIN USA, Inc. or any other group companies default or delay in filling the customer's order.

**Industrial Property Rights, Copyrights.**

- (1) Industrial property rights and copyrights to any goods or material of KLEIN IBERICA, S.A.U. & KLEIN USA, Inc. shall remain exclusively the proprietary of the Company. (2) In the event of claims against the customer because of breach of an industrial property right or a copyright in using the Company's deliveries or services, KLEIN IBERICA, S.A.U. & KLEIN USA, Inc. shall be responsible to obtain the right for the customer to continue using such deliveries or services, provided that the customer gives immediate written notice of such third-party claims and KLEIN IBERICA, S.A.U. & KLEIN USA, Inc. rights to take all appropriate defensive and out-of-court actions are reserved. If, despite such actions, it proves impossible to continue using the Company's deliveries or services under reasonable economic conditions, it shall be understood as agreed that KLEIN IBERICA, S.A.U. & KLEIN USA, Inc. may, at its discretion, modify or replace the particular delivery or service for removal of a legal deficiency, or reship such delivery or service with refunding of the sales price previously paid to KLEIN IBERICA, S.A.U. & KLEIN USA, Inc. less a certain deduction to account for the age of the delivery or service in question.
- (2) The customer shall have no further claims alleging infringement of industrial property or copyrights, if KLEIN IBERICA, S.A.U. & KLEIN USA, Inc. has not either violated essential contractual duties or has intentionally or grossly negligently breached contractual duties. KLEIN IBERICA, S.A.U. & KLEIN USA, Inc. shall have no liability where breaches of rights are caused by exploiting Company's deliveries or services in any other way than quoted by KLEIN IBERICA, S.A.U. & KLEIN USA, Inc. or by operating these together with any other than Company's deliveries or services.

# KLEIN®

KLEIN EUROPE  
Edificio KLEIN  
Polígono Industrial Can Cuyás  
N-150 Km. 1  
08110 Montcada i Reixac  
Barcelona (Spain)

Tel: +34 935 760 101  
Fax: +34 935 760 109  
  
+Info  
klein@klein.es  
www.klein.pro

Síguenos en redes  
Follow us on social media



KLEIN USA, Inc.®  
1 Madison Street  
East Rutherford, NJ 07073

Phone: 973 246 8181  
Fax: 973 246 8362  
  
+Info  
info@klein-usa.com  
www.klein.pro

Follow us on social media  
Síguenos en redes

