

**KLEIN**

Sliding doors with soft closing system



**LITE  
GLASS+**

Interior Design Glass  
Interiorismo Vidrio

**LITE GLASS+**



SILVER



BRONZE



BLACK



LITE GLASS + TOP



KSC

**ENG**

**Lite Glass+: system for a single sliding glass door, or for applications with bi passing glass doors. It can be installed on a wall or ceiling, with a recessed or exposed profile. Ideal for applications involving wardrobes or access doors.**

- Recessed installation, or installation on a wall or ceiling with exposed profile and valance.
- Fast and intuitive assembly for efficient implementation:
  - Direct access to the braking mechanism and the adjustment system.
  - System embedded in drop ceiling: two-phase assembly for easy installation.
- Clean, elegant design.
- Absence of floor tracks, leaving a clear walking area.
- 3/8" or 1/2" glass, weighing up to 220 lbs.
- Silver, Black and Bronze anodised aluminium profiles and valances.
- Silent, effortless sliding thanks to its bearing system.
- Smooth closing, with no slamming.
- Five-year KLEIN® warranty.
- **Soft closing system:** KSC, Klein Soft Closing, smooth controlled closing. Optional system.

**Our cutting-edge hydraulic dampers with multiple springs ensure optimum performance. Allows for panes starting at 29 1/2".**

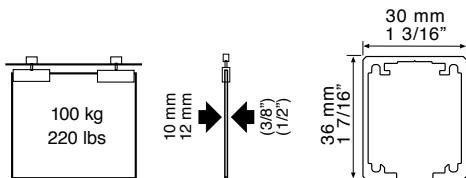
**ESP**

**Lite Glass+: sistema para puerta única corredera o para aplicaciones de puertas paralelas, de vidrio. Puede ser instalado a pared o a techo, con perfil empotrado o visto. Ideal en aplicaciones para armarios y puertas de paso.**

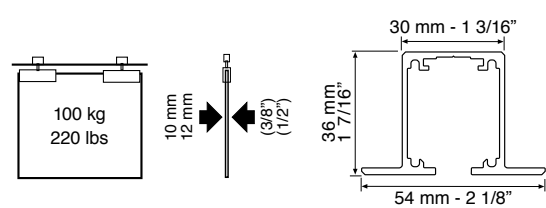
- Instalación empotrada o instalación a pared o a techo con perfil y galería vistos.
- Montaje rápido e intuitivo para una ejecución eficiente:
  - Acceso directo al mecanismo de frenado y al sistema de regulación.
  - Sistema empotrado a falso techo: montaje en dos fases para una instalación fácil.
- Diseño limpio y elegante.
- Ausencia de rieles en el suelo para liberar la zona de paso.
- Vidrio de 10 o 12 mm, hasta 100 Kg.
- Perfil y galería embellecedora de aluminio anodizado Silver, Negro y Bronce.
- Deslizamiento silencioso y con mínimo esfuerzo gracias a su sistema de rodamientos.
- Cierre suave y sin golpes.
- Garantía KLEIN® 5 años.
- **Sistema de frenado de la puerta:** KSC, Klein Soft Closing, detención suave controlada. Sistema opcional.

**Nuestros amortiguadores hidráulicos de última generación y muelles múltiples aseguran un funcionamiento óptimo. Admite hojas de más de 75 cm.**

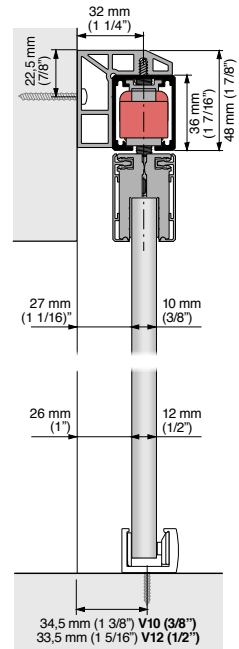
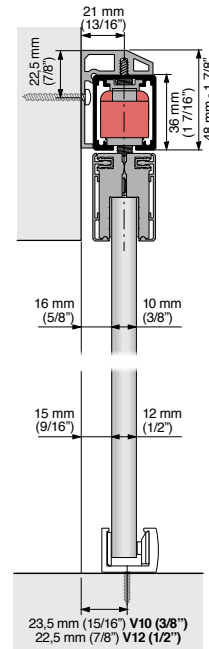
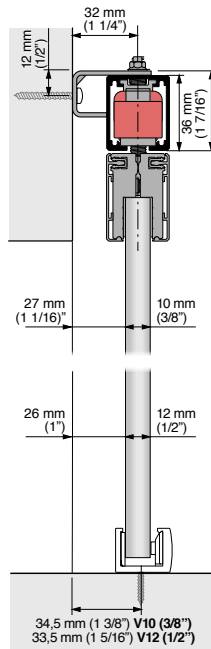
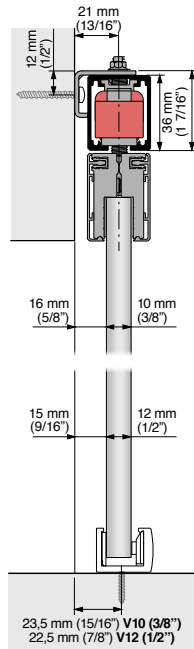
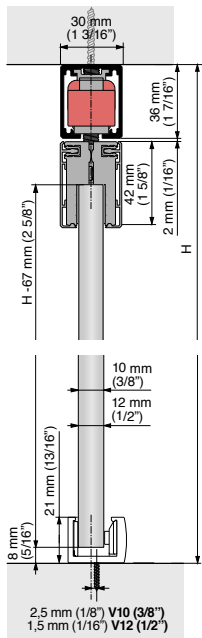
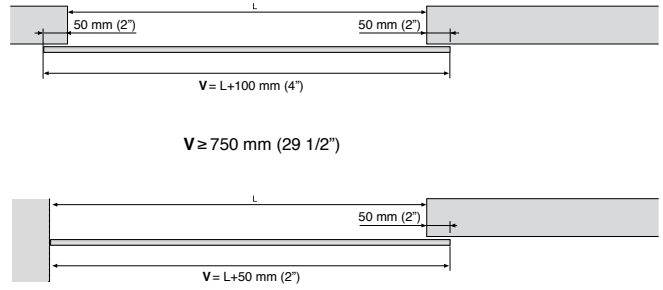
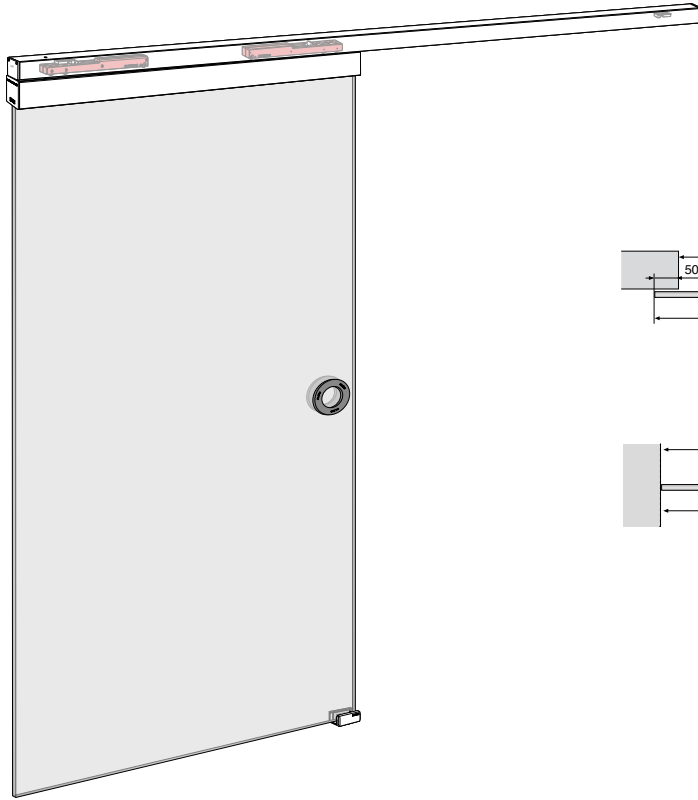
**LITE GLASS+**



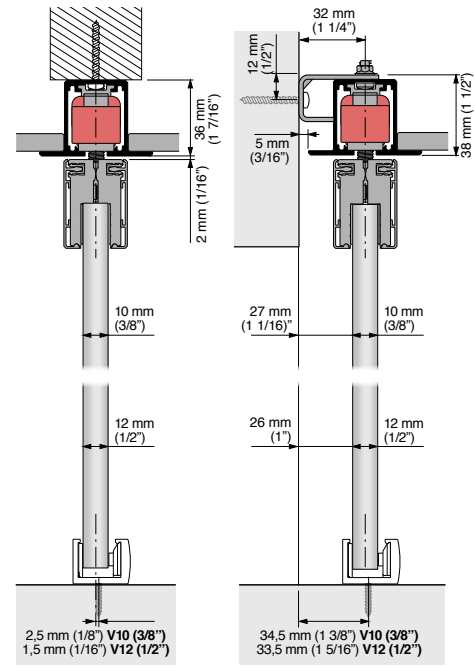
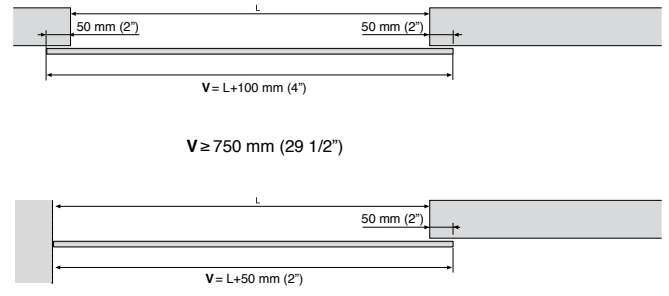
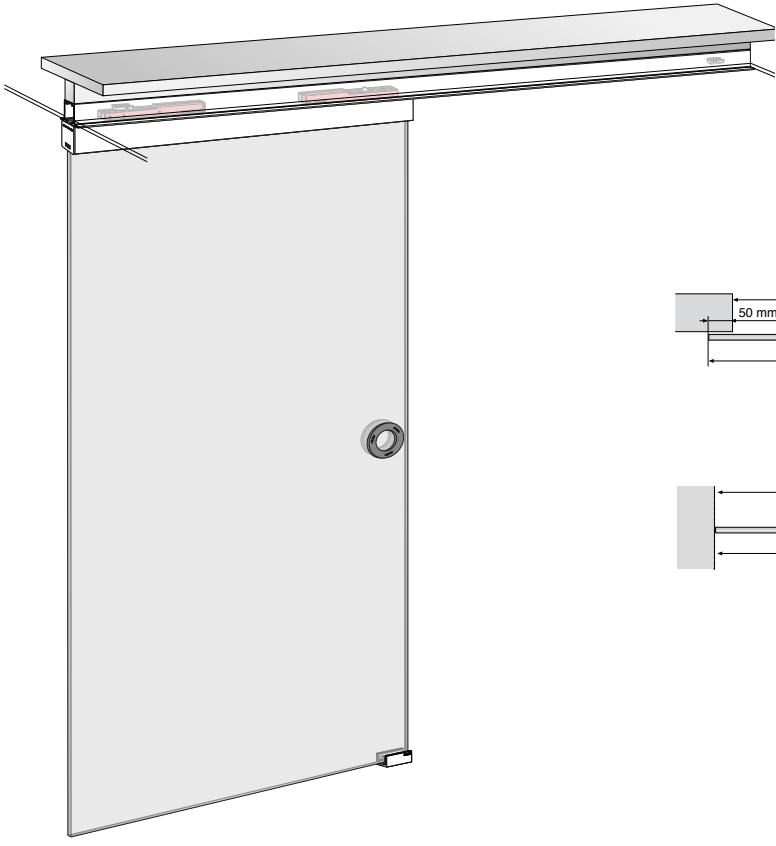
**LITE GLASS+ TOP**



**LITE GLASS+**



**LITE GLASS+ TOP**



REFERENCES / REFERENCIAS

**ENG**

LITE GLASS+ 100 SILVER			
Ref.	Description	Units	Img.
8721	KIT LITE GLASS+ 100 KSC (3/8" GLASS) 118"	1	A
8723	KIT LITE GLASS+ 100 KSC (1/2" GLASS) 118"	1	A
8725	KIT LITE GLASS+ 100 KSC (3/8" GLASS) 157"	1	A
8727	KIT LITE GLASS+ 100 KSC (1/2" GLASS) 157"	1	A
8722	KIT LITE GLASS+ 100 KSC TOP (3/8" GLASS) 118"	1	B
8724	KIT LITE GLASS+ 100 KSC TOP(1/2" GLASS) 118"	1	B
8726	KIT LITE GLASS+ 100 KSC TOP (3/8" GLASS) 157"	1	B
8728	KIT LITE GLASS+ 100 KSC TOP (1/2" GLASS) 157"	1	B
8217	CONTINUOUS WALL BRACKET 1/4" FROM THE WALL 118"	1	C
8218	CONTINUOUS WALL BRACKET 11/16" FROM THE WALL 118"	1	D
2180	SET OF END CAPS CLIP LITE+ 100 TRACK	1	E
2181	SET OF END CAPS CLIP LITE+ 100 WALL MOUNTED TRACK 1/4"	1	F
2182	SET OF END CAPS CLIP LITE+ 100 WALL MOUNTED TRACK 11/16"	1	G
3387	WALL BRACKETS 1/4" FROM THE WALL	1	H
2135	WALL BRACKETS 11/16" FROM THE WALL	1	I

LITE GLASS+ 100 BLACK			
Ref.	Description	Units	Img.
8741	KIT LITE GLASS+ 100 KSC (3/8" GLASS) 118"	1	Q
8745	KIT LITE GLASS+ 100 KSC (3/8" GLASS) 157"	1	Q
8743	KIT LITE GLASS+ 100 KSC (1/2" GLASS) 118"	1	Q
8747	KIT LITE GLASS+ 100 KSC (1/2" GLASS) 157"	1	Q
8744	KIT LITE GLASS+ 100 KSC TOP(1/2" GLASS) 118"	1	R
8742	KIT LITE GLASS+ 100 KSC TOP (3/8" GLASS) 118"	1	R
8746	KIT LITE GLASS+ 100 KSC TOP (3/8" GLASS) 157"	1	R
8748	KIT LITE GLASS+ 100 KSC TOP (1/2" GLASS) 157"	1	R
2196	SET OF END CAPS CLIP LITE+ 100 TRACK	1	S
2197	SET OF END CAPS CLIP LITE+ 100 WALL MOUNTED TRACK 1/4"	1	T
2198	SET OF END CAPS CLIP LITE+ 100 WALL MOUNTED TRACK 11/16"	1	U
2266	CONTINUOUS WALL BRACKET 1/4" FROM THE WALL 118"	1	V
2276	CONTINUOUS WALL BRACKET 11/16" FROM THE WALL 118"	1	W

LITE GLASS+ 100 BRONZE			
Ref.	Description	Units	Img.
8731	KIT LITE GLASS+ 100 KSC (3/8" GLASS) 118"	1	J
8733	KIT LITE GLASS+ 100 KSC (1/2" GLASS) 118"	1	J
8735	KIT LITE GLASS+ 100 KSC (3/8" GLASS) 157"	1	J
8737	KIT LITE GLASS+ 100 KSC (1/2" GLASS) 157"	1	J
8732	KIT LITE GLASS+ 100 KSC TOP (3/8" GLASS) 118"	1	K
8734	KIT LITE GLASS+ 100 KSC TOP(1/2" GLASS) 118"	1	K
8736	KIT LITE GLASS+ 100 KSC TOP (3/8" GLASS) 157"	1	K
8738	KIT LITE GLASS+ 100 KSC TOP (1/2" GLASS) 157"	1	K
2186	SET OF END CAPS CLIP LITE+ 100 TRACK	1	L
2187	SET OF END CAPS CLIP LITE+ 100 WALL MOUNTED TRACK 1/4"	1	M
2188	SET OF END CAPS CLIP LITE+ 100 WALL MOUNTED TRACK 11/16"	1	N
2262	CONTINUOUS WALL BRACKET 1/4" FROM THE WALL 118"	1	O
2272	CONTINUOUS WALL BRACKET 11/16" FROM THE WALL 118"	1	P

## ESP

LITE GLASS+ 100 SILVER		
Ref.		U.    Img.
8721	KIT LITE GLASS+ 100 KSC (VIDRIO 3/8") 118"	1    A
8723	KIT LITE GLASS+ 100 KSC (VIDRIO 1/2") 118"	1    A
8725	KIT LITE GLASS+ 100 KSC (VIDRIO 3/8") 157"	1    A
8727	KIT LITE GLASS+ 100 KSC (VIDRIO 1/2") 157"	1    A
8722	KIT LITE GLASS+ 100 KSC TOP (VIDRIO 3/8") 118"	1    B
8724	KIT LITE GLASS+ 100 KSC TOP(VIDRIO 1/2") 118"	1    B
8726	KIT LITE GLASS+ 100 KSC TOP (VIDRIO 3/8") 157"	1    B
8728	KIT LITE GLASS+ 100 KSC TOP (VIDRIO 1/2") 157"	1    B
8217	PERFIL 118" PARED CONTINUO 1/4"	1    C
8218	PERFIL 118" PARED CONTINUO 11/16"	1    D
2180	JGO. TAPAS LATERALES CLIP LITE+ 100	1    E
2181	JGO. TAPAS LATERALES CLIP LITE+ 100 PERFIL PARED 1/4"	1    F
2182	JGO. TAPAS LATERALES CLIP LITE+ 100 PERFIL PARED 11/16"	1    G
3387	WALL BRACKETS 1/4" FROM THE WALL	1    H
2135	WALL BRACKETS 11/16" FROM THE WALL	1    I

LITE GLASS+ 100 NEGRO		
Ref.		U.    Img.
8741	KIT LITE GLASS+ 100 KSC (VIDRIO 3/8") 118"	1    Q
8745	KIT LITE GLASS+ 100 KSC (VIDRIO 3/8") 157"	1    Q
8743	KIT LITE GLASS+ 100 KSC (VIDRIO 1/2") 118"	1    Q
8747	KIT LITE GLASS+ 100 KSC (VIDRIO 1/2") 157"	1    Q
8744	KIT LITE GLASS+ 100 KSC TOP(VIDRIO 1/2") 118"	1    R
8742	KIT LITE GLASS+ 100 KSC TOP (VIDRIO 3/8") 118"	1    R
8746	KIT LITE GLASS+ 100 KSC TOP (VIDRIO 3/8") 157"	1    R
8748	KIT LITE GLASS+ 100 KSC TOP (VIDRIO 1/2") 157"	1    R
2196	JGO. TAPAS LATERALES CLIP LITE+ 100	1    S
2197	JGO. TAPAS LATERALES CLIP LITE+ 100 PERFIL PARED 1/4"	1    T
2198	JGO. TAPAS LATERALES CLIP LITE+ 100 PERFIL PARED 11/16"	1    U
2266	PERFIL 118" PARED CONTINUO 1/4"	1    V
2276	PERFIL 118" PARED CONTINUO 11/16"	1    W

LITE GLASS+ 100 BRONCE		
Ref.		U.    Img.
8731	KIT LITE GLASS+ 100 KSC (VIDRIO 3/8") 118"	1    J
8733	KIT LITE GLASS+ 100 KSC (VIDRIO 1/2") 118"	1    J
8735	KIT LITE GLASS+ 100 KSC (VIDRIO 3/8") 157"	1    J
8737	KIT LITE GLASS+ 100 KSC (VIDRIO 1/2") 157"	1    J
8732	KIT LITE GLASS+ 100 KSC TOP (VIDRIO 3/8") 118"	1    K
8734	KIT LITE GLASS+ 100 KSC TOP(VIDRIO 1/2") 118"	1    K
8736	KIT LITE GLASS+ 100 KSC TOP (VIDRIO 3/8") 157"	1    K
8738	KIT LITE GLASS+ 100 KSC TOP (VIDRIO 1/2") 157"	1    K
2186	JGO. TAPAS LATERALES CLIP LITE+ 100	1    L
2187	JGO. TAPAS LATERALES CLIP LITE+ 100 PERFIL PARED 1/4"	1    M
2188	JGO. TAPAS LATERALES CLIP LITE+ 100 PERFIL PARED 11/16"	1    N
2262	PERFIL 118" PARED CONTINUO 1/4"	1    O
2272	PERFIL 118" PARED CONTINUO 11/16"	1    P

REFERENCES / REFERENCIAS



A



B



C



D



E



F



G



H



I



J



K



L





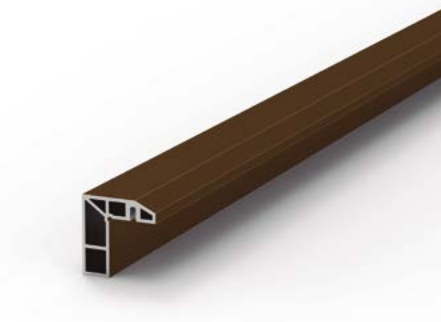
M



N



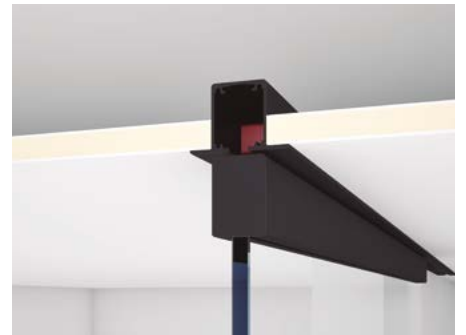
O



P



Q



R



S



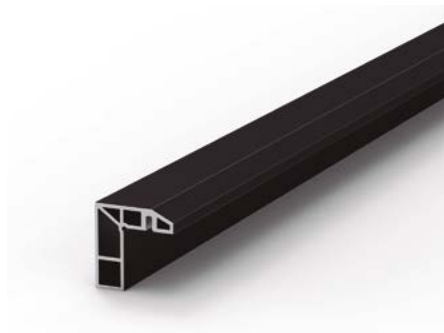
T



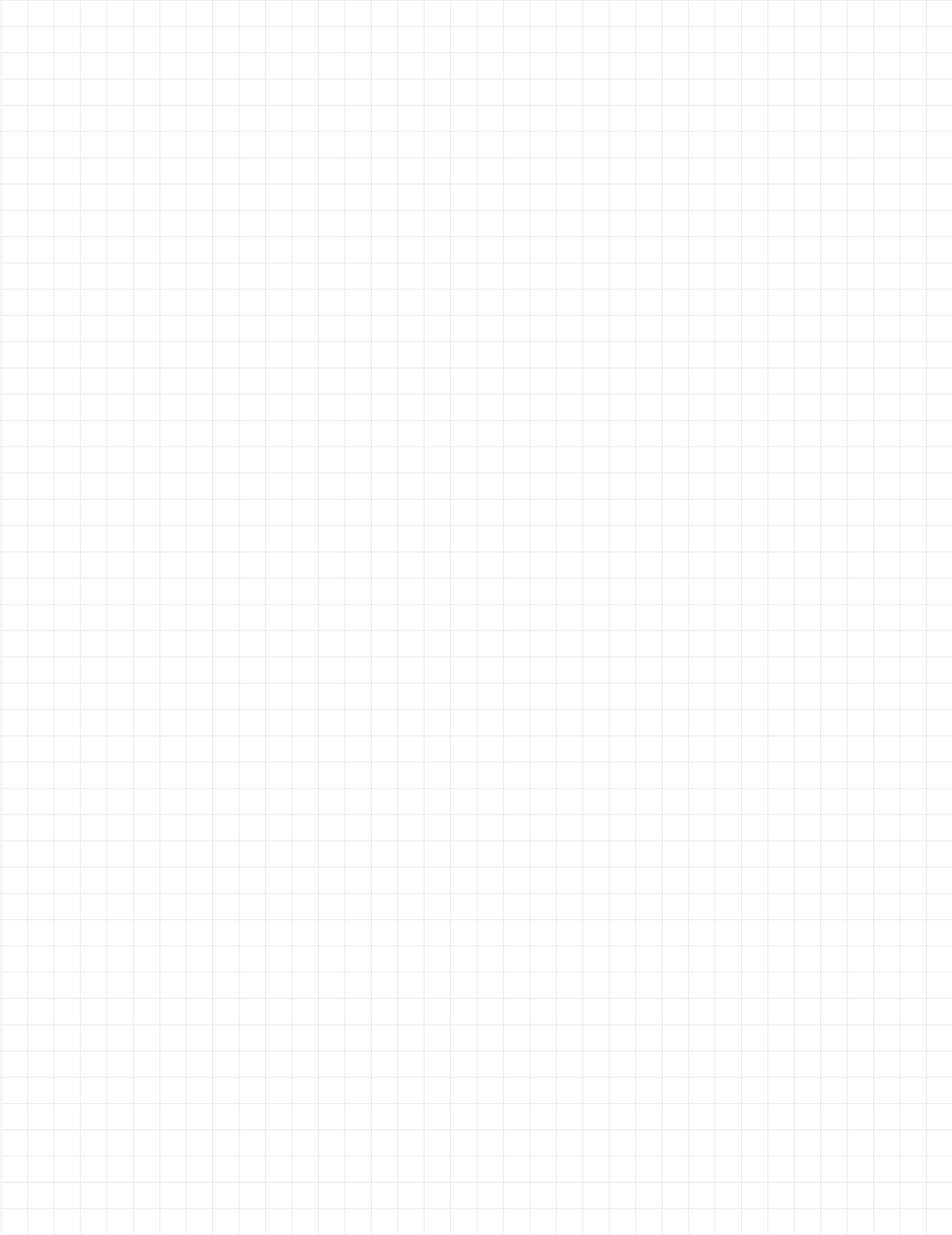
U

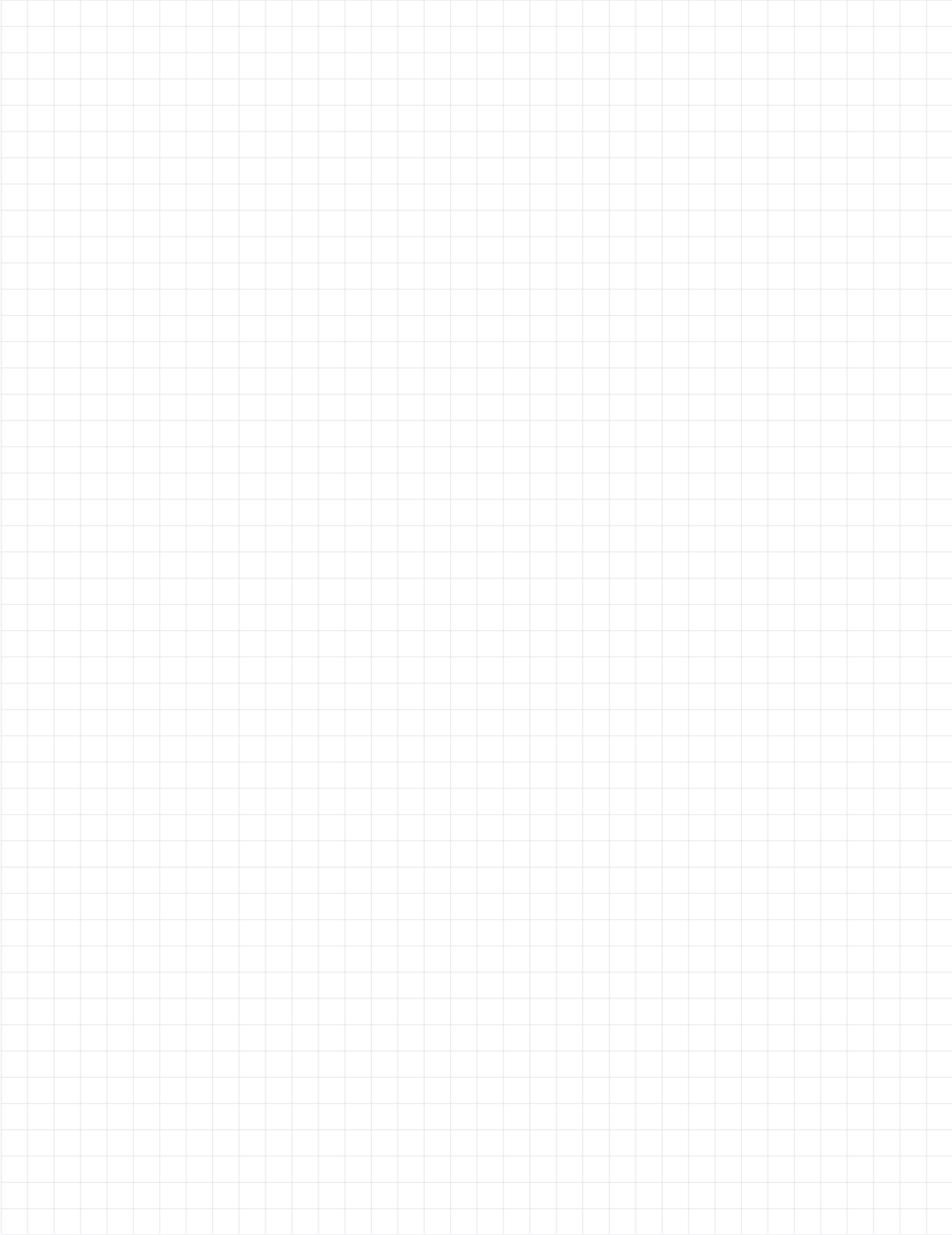


V



W





# KLEIN

**KLEIN USA, Inc.®**  
1 Madison Street  
East Rutherford, NJ 07073

Phone: 973 246 8181  
Fax: 973 246 8362  
info@klein-usa.com  
**www.klein-usa.com**

Follow us on social media  
Síguenos en redes

