

Bi parting doors with glass sidelites



**ROLMATIC®**

Synchronized Glass Doors  
Puertas Correderas Sincrónicas



ROLMATIC® CORNER



ROLMATIC®



ROLMATIC®

## ENG

**Rolmatic® is designed to divide space through synchronized bi-parting glass doors sliding along glass sidelights.**

- Ideal for office partitions, conference rooms, bedrooms entrances, lounges, etc.
- Minimalist design with a compact clear anodized track holding panels up to 10' high.
- Innovative system for high end projects leaving a clear opening up to 8'-0".
- 90° corner opening option available (Rolmatic Corner).
- Single extrusion to combine fixed and sliding glass panels for easier and faster installation.
- Clipped valance for a quick installation.
- Clear opening free of floor tracks.
- Glass panels held through high weight capacity pressure clamps with no glass drillings (use of tempered or laminated glass).
- Pre-mounted and pre-tensioned belt for a quicker and easier assembly.
- Use of 3/8" and 1/2" glass doors up to 200 lbs.
- Clear anodized aluminium finish.
- Ball bearing system for quiet and soft opening.
- Ceiling mounted.

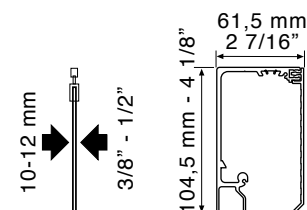
**Systems tested up to 100.000 cycles as per European standard EN1527.**

## ESP

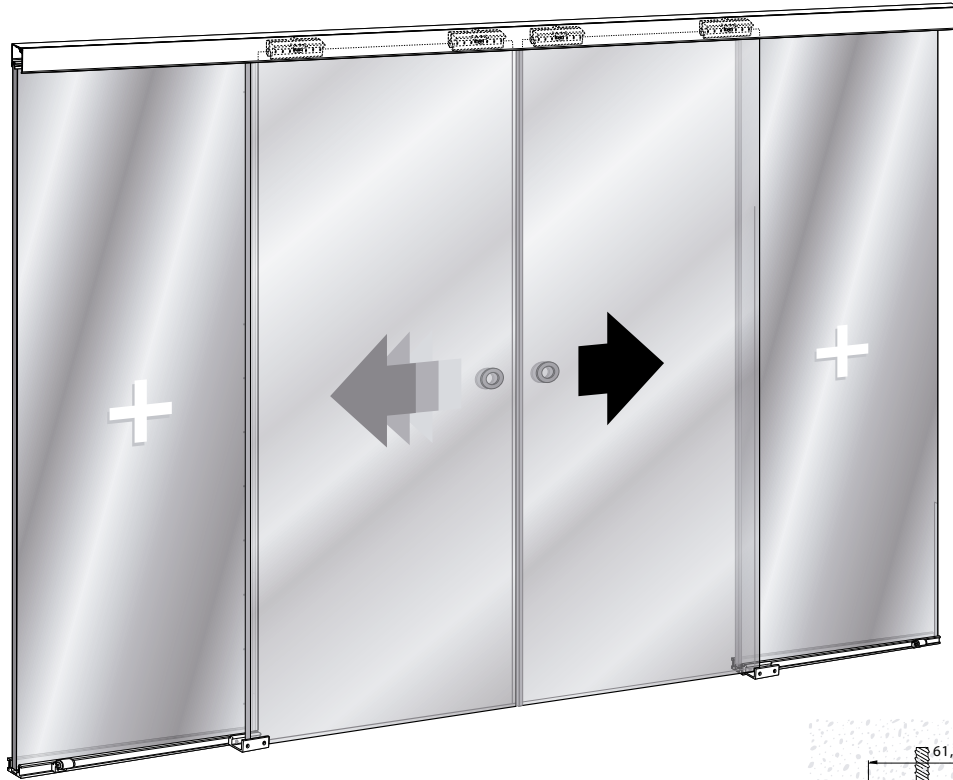
**Rolmatic® está diseñado para dividir ambientes a través de dos paneles de vidrio correderos enfrentados deslizando las puertas de manera sincrónica a lo largo de vidrios fijos.**

- Ideal para separación de oficinas, salas de conferencias, habitaciones, salones...
- Diseño minimalista gracias a su perfil compacto que soporta puertas hasta 10' de alto.
- Sistema innovador para conseguir apertura hasta 8'-0".
- Apertura en ángulo de 90° disponible (Rolmatic Corner).
- Perfil único que combina paneles fijos y correderos para una instalación sencilla y rápida.
- Galería clipada para una instalación rápida.
- Zona de paso limpia sin riel en el suelo.
- Sujeción de la puerta mediante mordazas a presión sin mecanización del cristal (vidrio templado o laminado).
- Sistema de transmisión premontado y pretensado para un montaje rápido.
- Vidrio de 3/8" o 1/2" hasta 200 lbs.
- Perfil de aluminio anodizado "Silver Mariner" (AA10 ISO 7599, 20 micras).
- Rodamientos de bolas para apertura suave.
- Instalación a techo.

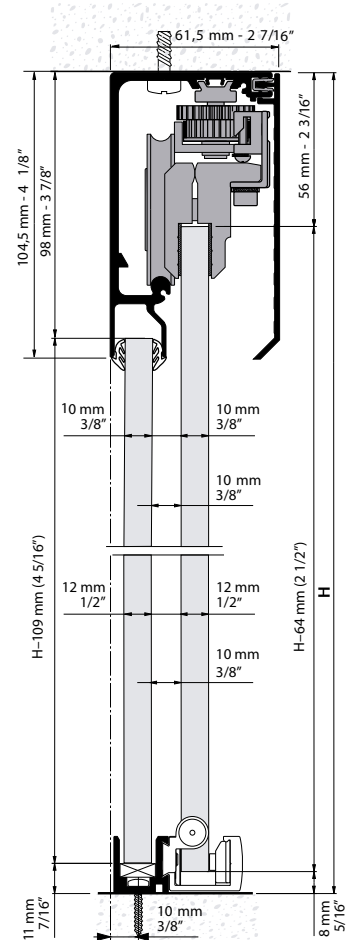
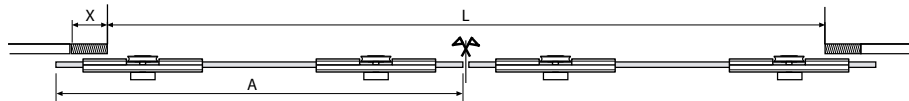
**Sistemas testados con 100.000 ciclos según la norma EN1527.**



**ROLMATIC®**

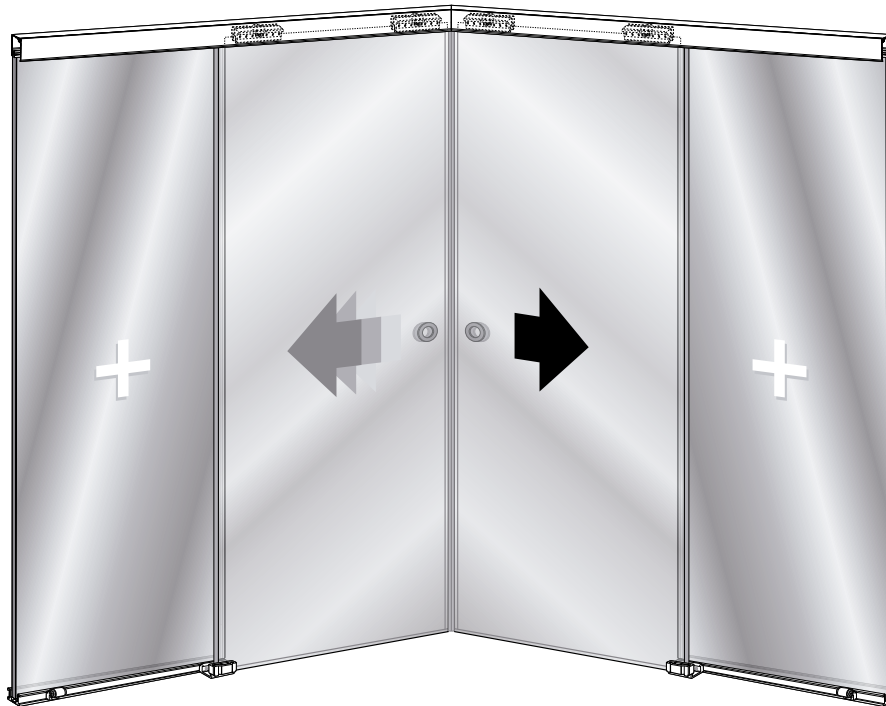


	P(Track)	A(Width)	V1(Height)
G1	3.000 mm 118"	650 - 750 mm 25 1/2" - 29 1/2"	2.275 - 2.625 mm 7' 6" - 8' 7"
G2	4.000 mm 157"	750 - 1.000 mm 29 1/2" - 39 1/2"	2.625 - 3.000 mm 8' 7" - 10'
G3	5.000 mm 196"	1.000 - 1.250 mm 39 1/2" - 49"	3.000 - 2.400 mm 10' - 7' 10"

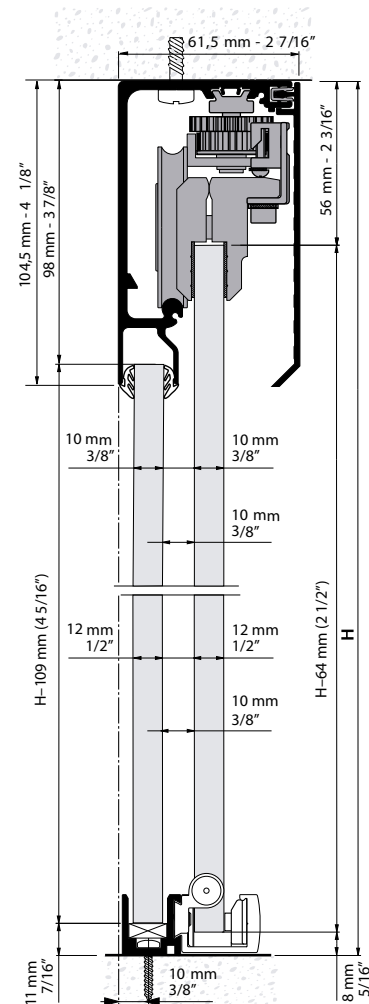
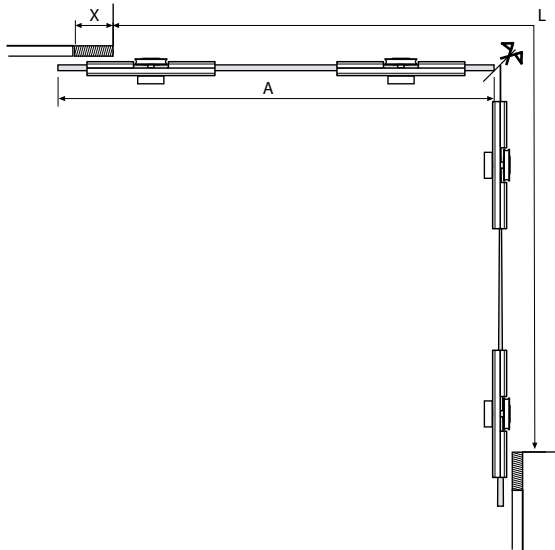


Dimensions that are in mm are exact; those in inches are approximate.

**ROLMATIC® CORNER**



	P(Track)	A(Width)	V1(Height)
G1	2 x 1.500 mm 2 x 59"	650 - 750 mm 25 1/2" - 29 1/2"	2.275 - 2.625 mm 7' 6" - 8' 7"
G2	2 x 2.000 mm 2 x 78"	750 - 1.000 mm 29 1/2" - 39 1/2"	2625 - 3.000 mm 8' 7" - 10'
G3	2 x 2.500 mm 2 x 98"	1.000 - 1.250 mm 39 1/2" - 49"	3.000 - 2.400 mm 10' - 7' 10"



Dimensions that are in mm are exact; those in inches are approximate.

REFERENCES / REFERENCIAS

**ENG**

ROLMATIC®		
Ref.	Description	Img.
8070	KIT ROLMATIC-180° G-1 (3/8" GLASS) 118" TRACK	A
8071	KIT ROLMATIC 180° G-2 (3/8" GLASS) 157" TRACK	A
8072	KIT ROLMATIC-180° G-3 (3/8" GLASS) 196" TRACK	A
8073	KIT ROLMATIC-180° G-1 (1/2" GLASS) 118" TRACK	A
8074	KIT ROLMATIC 180° G-2 (1/2" GLASS) 157" TRACK	A
8075	KIT ROLMATIC 180° G-3 (1/2" GLASS) 196" TRACK	A
8633	SET OF TRACKS AND VALANCE ROLMATIC 157"	C
8536	MAGNET EDGE SEALING 118"	D

ROLMATIC® CORNER		
Ref.	Description	Img.
1910	KIT ROLMATIC CORNER G-2 (3/8" GLASS) 2 X 78" TRACK	B
1911	KIT ROLMATIC CORNER G-2 (1/2" GLASS) 2 X 78" TRACK	B
1876	KIT ROLMATIC CORNER G-3 (1/2" GLASS) 2 X 98" TRACK	B
8536	MAGNET EDGE SEALING 118"	D

**ESP**

ROLMATIC®		
Ref.	Descripción	Img.
8070	KIT ROLMATIC-180° G-1 (VIDRIO 3/8" ) PERFIL 118"	A
8071	KIT ROLMATIC 180° G-2 (VIDRIO 3/8") PERFIL 157"	A
8072	KIT ROLMATIC-180° G-3 ( VIDRIO 3/8") PERFIL 196"	A
8073	KIT ROLMATIC-180° G-1 ( VIDRIO 1/2") PERFIL 118"	A
8074	KIT ROLMATIC 180° G-2 (VIDRIO 1/2") PERFIL 157"	A
8075	KIT ROLMATIC 180° G-3 (VIDRIO 1/2") PERFIL 196"	A
8633	JGO. DE PERFILES ROLMATIC 157"	C
8536	JUNTA SALVACANTOS IMANTADA	D

ROLMATIC® CORNER		
Ref.	Descripción	Img.
1910	KIT ROLMATIC CORNER G-2 (VIDRIO 3/8") PERFIL 2 X 78"	B
1911	KIT ROLMATIC CORNER G-2 (VIDRIO 1/2") PERFIL 2 X 78"	B
1876	KIT ROLMATIC CORNER G-3 (VIDRIO 1/2") PERFIL 2 X 98"	B
8536	INSTALACIÓN SALVACANTOS IMANTADA	D



A



B



C



D

# KLEIN

**KLEIN USA, Inc.®**  
1 Madison Street  
East Rutherford, NJ 07073

Phone: 973 246 8181  
Fax: 973 246 8362  
info@klein-usa.com  
**www.klein-usa.com**

Follow us on social media  
Síguenos en redes

