

KLEIN®

Sistema de puertas batientes
Swing doors system
Système de portes battantes
Schwingtüren System

LEVEL

Interiorismo Madera
Interior Design Wood
Décoration d'Intérieur Bois
Innenausstattung Holz



LEVEL



ESP

LEVEL, es el primer sistema para puertas batientes de madera de KLEIN. Ideal para espacios en los que se busca elevar el diseño interior LEVEL, se vuelve el sistema para puertas batientes donde la estética encuentra su forma y cumple, con carácter, las expectativas proyectuales.

- Resbalón imantado: máximo silencio en la apertura y cierre de la puerta
- Manilla enrasada en el panel para un diseño sobrio y visualmente distinto.
- Amplia versatilidad de aplicación según manilla:
 - 1) Manilla ciega
 - 2) Manilla condensa
 - 3) Manilla cilindro
- Bisagras ocultas y regulables en 3 Dimensiones integradas en el KIT
- Apertura de la puerta hasta 180°
- Panel a partir de 40 mm de espesor y 40 kg máximo.
- Acabado anodizado Silver y Negro mate
- Garantía KLEIN@ 5 años

FRA

LEVEL est le tout premier système pour portes battantes en bois de KLEIN. Idéal pour les espaces dans lesquels prime le design intérieur, LEVEL est la solution pour portes battantes qui permet à l'esthétique de s'exprimer tout en répondant avec caractère aux attentes en matière de conception.

- Pêne magnétique : ouverture et fermeture de la porte en silence
- Poignée encastrée dans le panneau pour un design sobre et visuellement distinct
- Polyvalence d'utilisation grâce aux différents types de poignées :
 - 1) Poignée Aveugle
 - 2) Poignée Verrou
 - 3) Poignée Cylindre
- Charnières invisibles et réglables dans les 3 dimensions
- Ouverture de la porte jusqu'à 180°
- Panneau à partir de 40 mm d'épaisseur et jusqu'à 40 kg
- Finition anodisée Argent et Noir mat
- Garantie KLEIN de 5 ans

ENG

LEVEL is the first KLEIN system for wooden swing doors. An ideal option for spaces requiring a more elevated interior design, LEVEL is a swing door system in which the aesthetic becomes the star of the show, meeting project expectations and adding character.

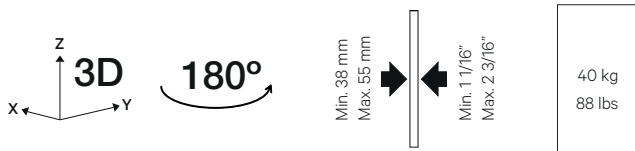
- Magnetized latch: maximum silence when opening and closing the door
- Handle flush with the panel for a restrained, visually distinct design
- Wide application versatility depending on the handle:
 - 1) Concealed handle
 - 2) Lock handle
 - 3) Cylinder handle
- Hidden hinges that can be adjusted in 3 dimensions
- Door opening up of to 180°
- Panels starting at 40 mm thick and weighing up to 40 kg
- Silver and Matte Black anodized finish
- Five-year KLEIN warranty

DEU

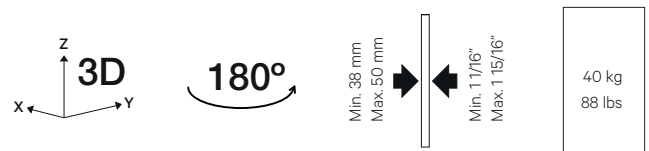
LEVEL ist das erste System von KLEIN für Schwingtüren aus Holz. Konzipiert für Räume mit einem gehobeneren Innensign, macht seine Ästhetik das Schwingtüren-System LEVEL zum heimlichen Star, der dem Raum einen ganz eigenen Charakter verleiht und die Erwartungen an die Projektumsetzung übertrifft.

- Magnetische Verriegelung: ultimativ geräuschloses Schließen und Öffnen der Tür
- Der mit dem Panel bündige Griff sorgt für ein minimalistisches Design, dessen Minimalismus Maßstäbe setzt
- Breites, vielseitiges Anwendungsspektrum, je nach Griffausführung
 - 1) verborgener Griff
 - 2) Schlossgriff
 - 3) Zylindergriff
- Verborgene Scharniere, die in allen drei Dimensionen angepasst werden können
- Paneele ab einer Stärke von 40 mm und bis zu einem Gewicht von 40 kg verfügbar
- Eloxierte Oberfläche in Silber und Mattschwarz
- Fünf Jahre Gewährleistung von KLEIN

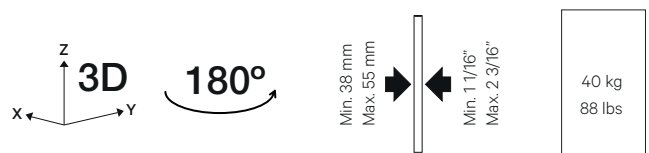
MANILLA CIEGA/ CONCEALED HANDLE

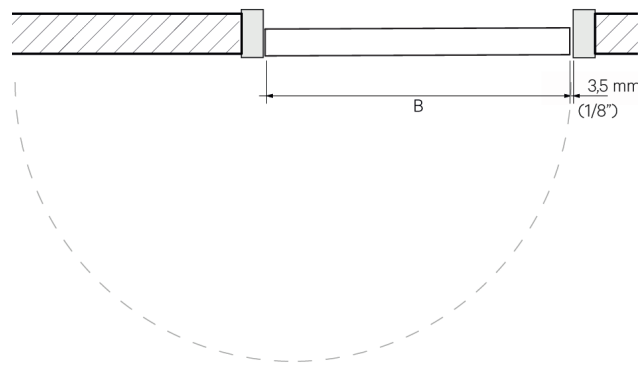
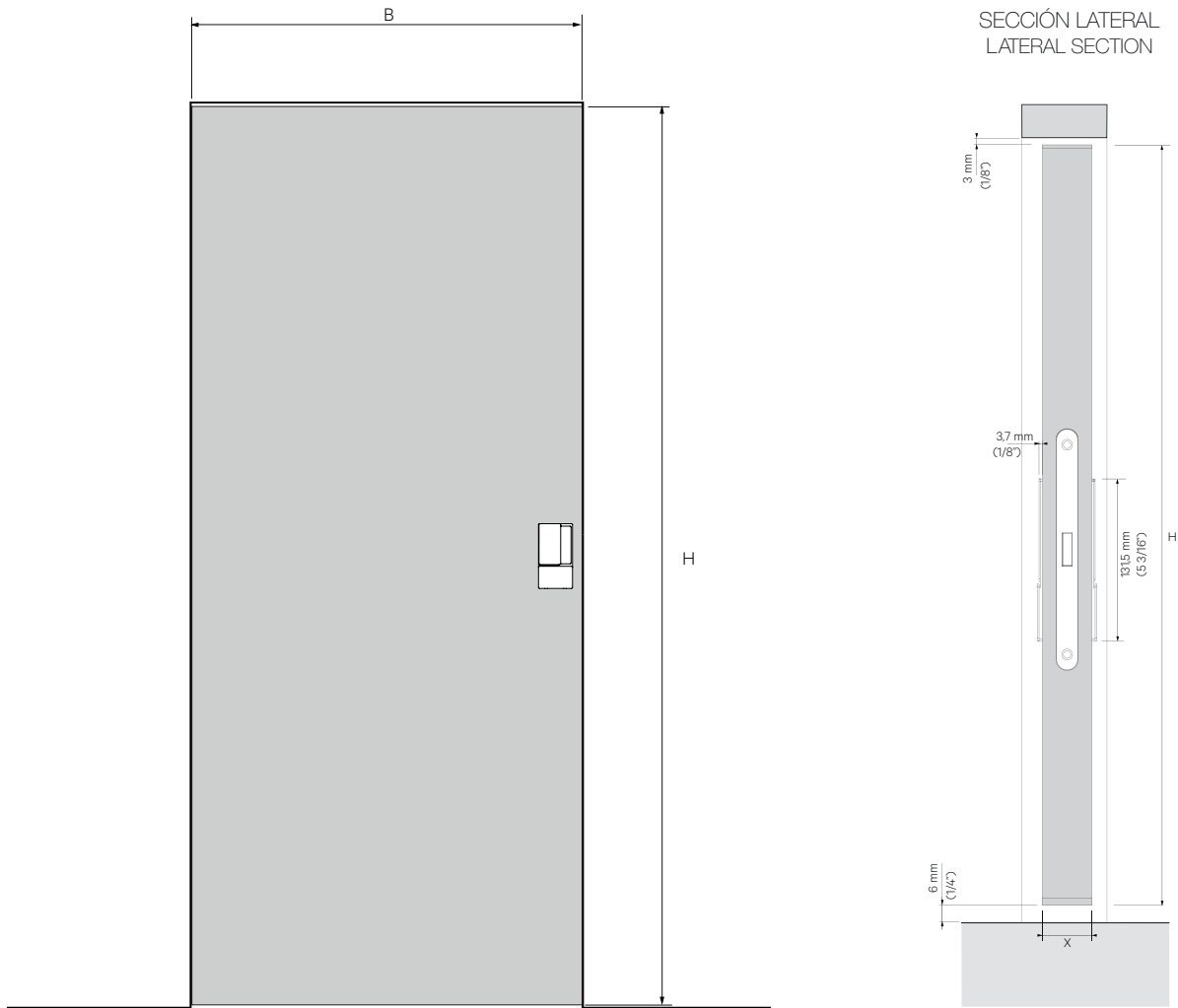


MANILLA CONDENA/ LOCK HANDLE



MANILLA CILINDRO/ CYLINDER HANDLE





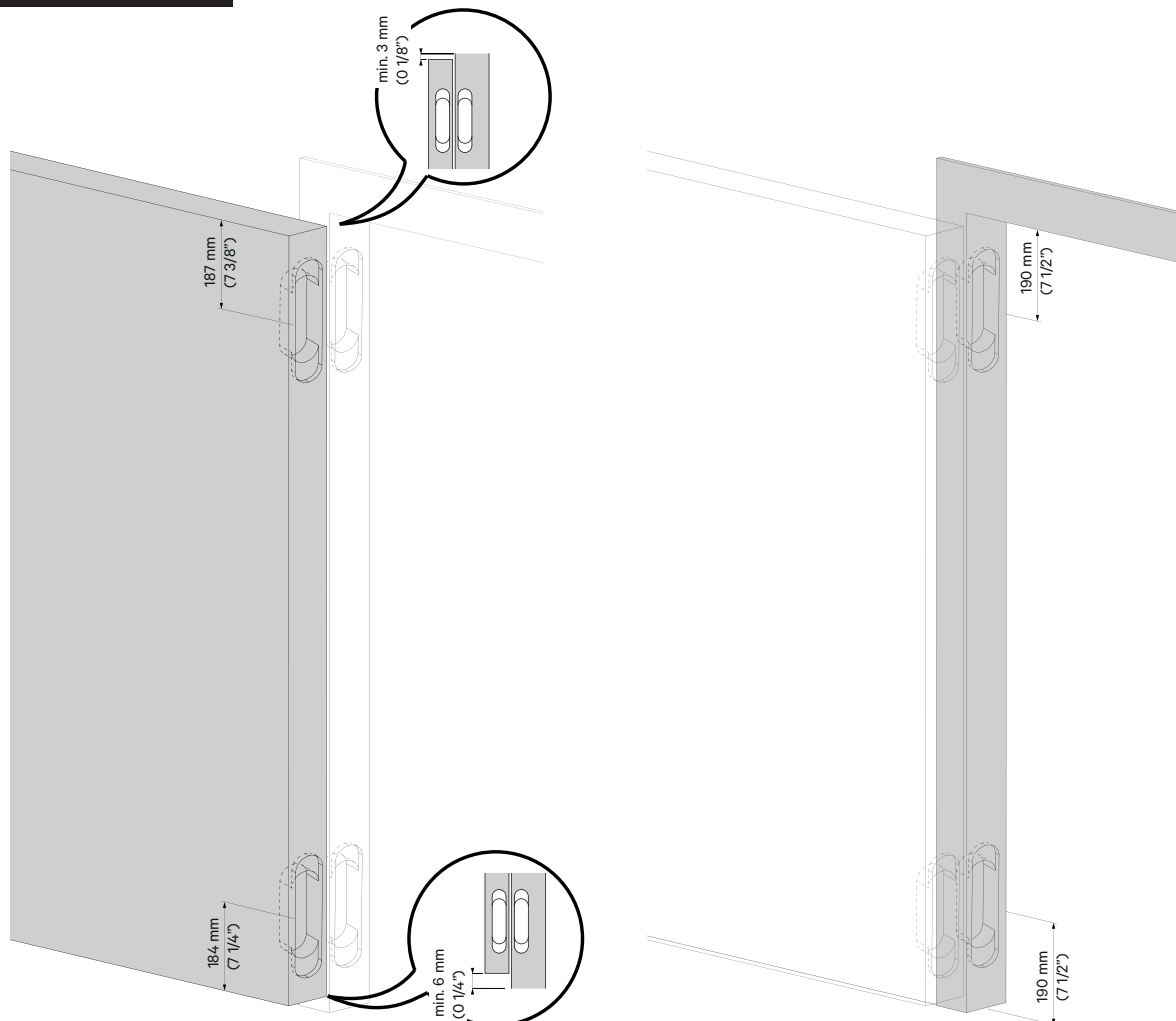
| H | 700mm | 800mm | 900mm | 950mm | 1000mm | 1050mm | 1100mm | 1150mm | 1200mm |
|-----------------------|-------|-------|-------|-------|--------|--------|--------|--------|--------|
| 2371mm (93 11/32") | 3 | 3 | 3 | 4 | 4 | 4 | 4 | 4 | 4 |
| 2321mm (93 3/8") | 3 | 3 | 3 | 4 | 4 | 4 | 4 | 4 | |
| 2271mm (89 13/32") | 3 | 3 | 3 | 4 | 4 | 4 | 4 | 4 | |
| 2221mm (87 7/16") | 3 | 3 | 3 | 4 | 4 | 4 | 4 | | |
| 2178mm (85 3/4") | 3 | 3 | 3 | 4 | 4 | 4 | | | |
| 2121mm (83 1/2") | 3 | 3 | 3 | 4 | 4 | 4 | | | |
| 2071mm (81 17/32") | 2 | 2 | 2 | 3 | 3 | | | | |
| 2021mm (79 9/16") | 2 | 2 | 2 | 3 | 3 | | | | |
| 1971mm (77 19/32") | 2 | 2 | 2 | 3 | | | | | |
| 1921mm (75 5/8") | 2 | 2 | 2 | | | | | | |
| 1871mm (73 21/32") | 2 | 2 | 2 | | | | | | |
| 1821mm (71 11/16") | 2 | 2 | | | | | | | |

700mm 800mm 900mm 950mm 1000mm 1050mm 1100mm 1150mm 1200mm
 (27 9/16") (31 1/2") (35 7/16") (37 13/32") (39 3/8") (41 11/32") (43 5/8") (45 9/32") (47 1/2")

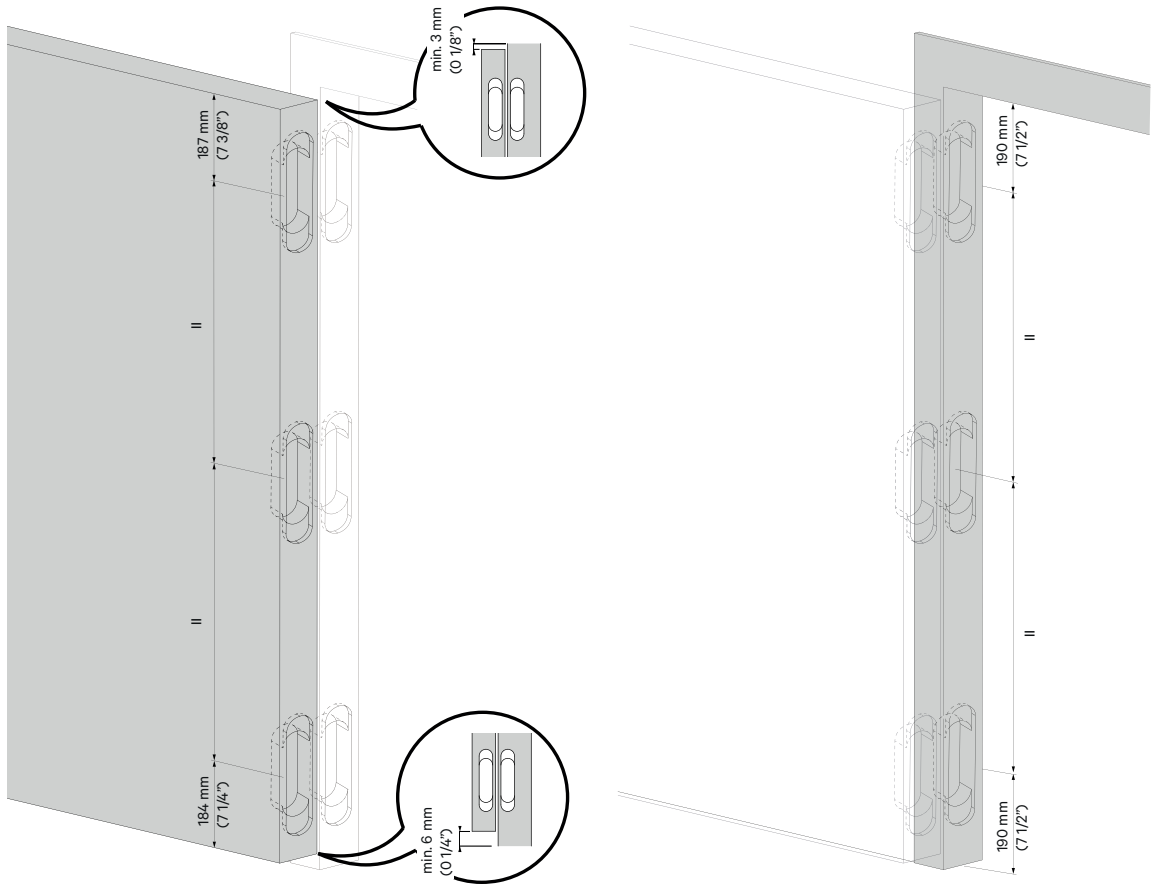
DIMENSIONES PUERTA - Nº BISAGRAS
DOOR DIMENSIONS - Nº HINGES

- 2 BISAGRAS / 2 HINGES**
 B < 900 mm / (35 7/16")
 H < 2070 mm / (93 11/32")
 Mecanizado Pag 12 / Mechanization Pag 12
- 3 BISAGRAS A / 3 HINGES A**
 B < 900 mm / (35 7/16")
 H < 2380 mm / (93 11/32")
 Mecanizado Pag 13 / Mechanization Pag 13
- 3 BISAGRAS B / 3 HINGES B**
 B < 1000 mm / (39 3/8")
 H < 2070 mm / (81 17/32")
 Mecanizado Pag 13 / Mechanization Pag 13
- 4 BISAGRAS / 4 HINGES**
 B < 1200 mm / (47 1/2")
 H < 2380 mm / (93 11/32")
 Mecanizado Pag 14 / Mechanization Pag 14

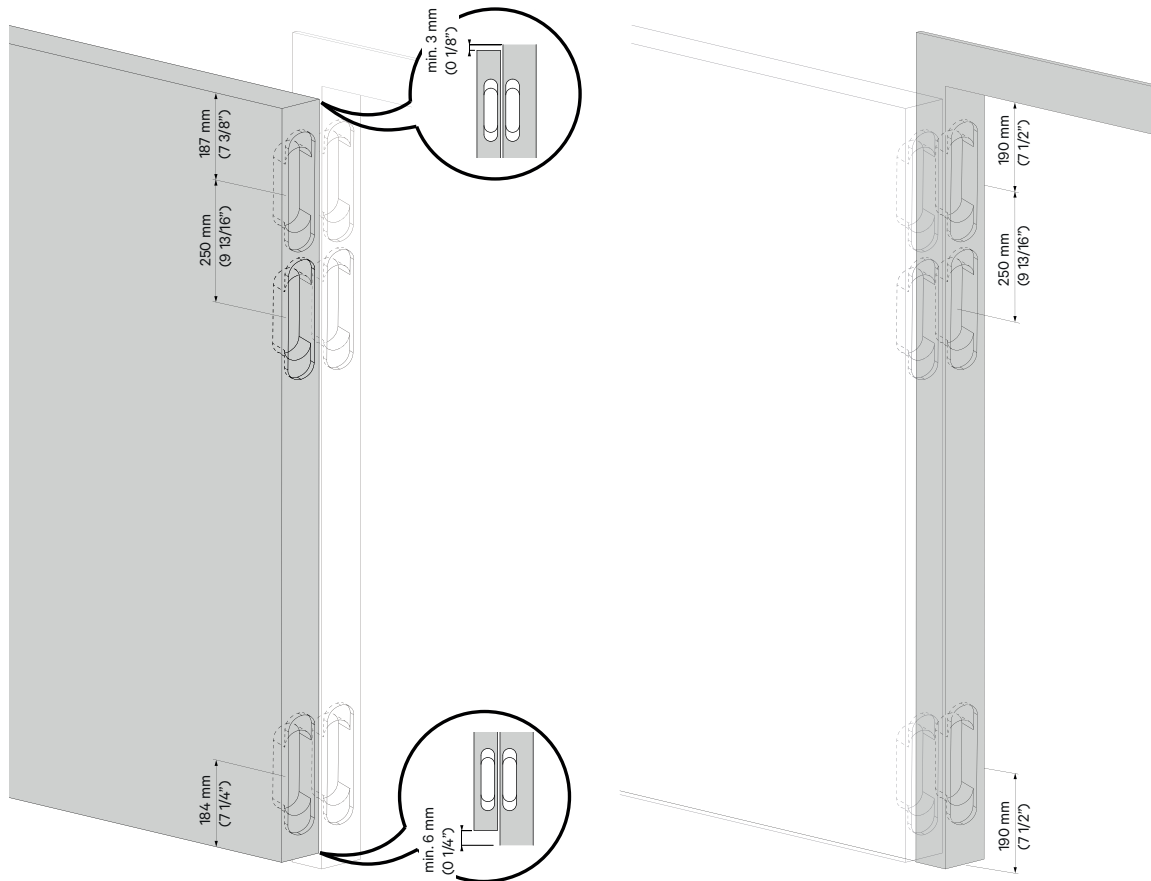
2 BISAGRAS / 2 HINGES



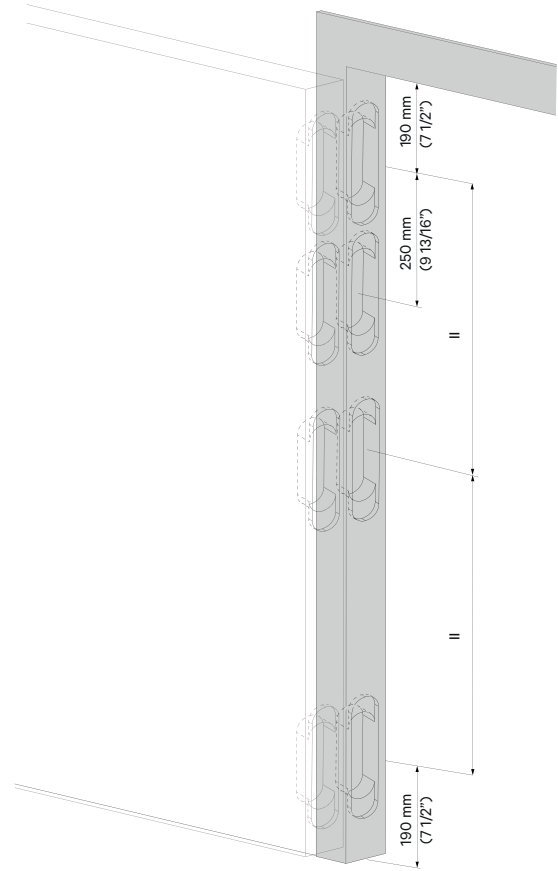
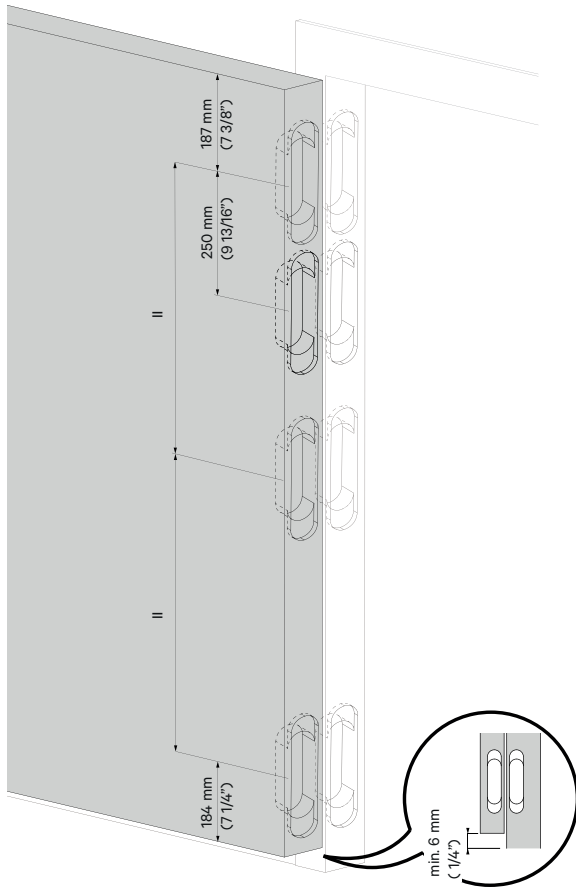
3 BISAGRAS A/ 3 HINGES A



3 BISAGRAS B/ 3 HINGES B



4 BISAGRAS/ 4 HINGES



REFERENCIAS / REFERENCES / RÉFÉRENCES / REFERENZ

ESP

| KIT LEVEL MANILLA CIEGA SILVER | | | | |
|--------------------------------|---|----|------|--|
| Ref. | Descripción | U. | Img. | |
| 1529 | KIT LEVEL MANILLA CIEGA + 2 BISAGRAS SILVER | 1 | A | |
| 1532 | KIT LEVEL MANILLA CIEGA + 3 BISAGRAS SILVER | 1 | B | |
| 1533 | KIT LEVEL MANILLA CIEGA + 4 BISAGRAS SILVER | 1 | C | |

| KIT LEVEL MANILLA CIEGA NEGRO | | | | |
|-------------------------------|--|----|------|--|
| Ref. | Descripción | U. | Img. | |
| 1539 | KIT LEVEL MANILLA CIEGA + 2 BISAGRAS NEGRO | 1 | J | |
| 1541 | KIT LEVEL MANILLA CIEGA + 3 BISAGRAS NEGRO | 1 | K | |
| 1543 | KIT LEVEL MANILLA CIEGA + 4 BISAGRAS NEGRO | 1 | L | |

| KIT LEVEL MANILLA CONDENA SILVER | | | | |
|----------------------------------|---|----|------|--|
| Ref. | Descripción | U. | Img. | |
| 1509 | KIT LEVEL MANILLA CONDENA + 2 BISAGRAS SILVER | 1 | D | |
| 1512 | KIT LEVEL MANILLA CONDENA + 3 BISAGRAS SILVER | 1 | E | |
| 1513 | KIT LEVEL MANILLA CONDENA + 4 BISAGRAS SILVER | 1 | F | |

| KIT LEVEL MANILLA CONDENA NEGRO | | | | |
|---------------------------------|--|----|------|--|
| Ref. | Descripción | U. | Img. | |
| 1519 | KIT LEVEL MANILLA CONDENA + 2 BISAGRAS NEGRO | 1 | M | |
| 1521 | KIT LEVEL MANILLA CONDENA + 3 BISAGRAS NEGRO | 1 | N | |
| 1524 | KIT LEVEL MANILLA CONDENA + 4 BISAGRAS NEGRO | 1 | O | |

| KIT LEVEL MANILLA CILINDRO SILVER | | | | |
|-----------------------------------|--|----|------|--|
| Ref. | Descripción | U. | Img. | |
| 1549 | KIT LEVEL MANILLA CILINDRO + 2 BISAGRAS SILVER | 1 | G | |
| 1542 | KIT LEVEL MANILLA CILINDRO + 3 BISAGRAS SILVER | 1 | H | |
| 1547 | KIT LEVEL MANILLA CILINDRO + 4 BISAGRAS SILVER | 1 | I | |

| KIT LEVEL MANILLA CILINDRO NEGRO | | | | |
|----------------------------------|---|----|------|--|
| Ref. | Descripción | U. | Img. | |
| 1559 | KIT LEVEL MANILLA CILINDRO + 2 BISAGRAS NEGRO | 1 | P | |
| 1556 | KIT LEVEL MANILLA CILINDRO + 3 BISAGRAS NEGRO | 1 | Q | |
| 1557 | KIT LEVEL MANILLA CILINDRO + 4 BISAGRAS NEGRO | 1 | R | |

ENG

| KIT LEVEL CONCEALED HANDLE SILVER | | | | |
|-----------------------------------|--|-------|------|--|
| Ref. | Description | Units | Img. | |
| 1529 | KIT LEVEL CONCEALED HANDLE + 2 HINGES SILVER | 1 | A | |
| 1532 | KIT LEVEL CONCEALED HANDLE + 3 HINGES SILVER | 1 | B | |
| 1533 | KIT LEVEL CONCEALED HANDLE + 4 HINGES SILVER | 1 | C | |

| KIT LEVEL CONCEALED HANDLE BLACK | | | | |
|----------------------------------|---|-------|------|--|
| Ref. | Description | Units | Img. | |
| 1539 | KIT LEVEL CONCEALED HANDLE + 2 HINGES BLACK | 1 | J | |
| 1541 | KIT LEVEL CONCEALED HANDLE + 3 HINGES BLACK | 1 | K | |
| 1543 | KIT LEVEL CONCEALED HANDLE + 4 HINGES BLACK | 1 | L | |

| KIT LEVEL LOCK HANDLE SILVER | | | | |
|------------------------------|---|-------|------|--|
| Ref. | Description | Units | Img. | |
| 1509 | KIT LEVEL LOCK HANDLE + 2 HINGES SILVER | 1 | D | |
| 1512 | KIT LEVEL LOCK HANDLE + 3 HINGES SILVER | 1 | E | |
| 1513 | KIT LEVEL LOCK HANDLE + 4 HINGES SILVER | 1 | F | |

| KIT LEVEL LOCK HANDLE BLACK | | | | |
|-----------------------------|--|-------|------|--|
| Ref. | Description | Units | Img. | |
| 1519 | KIT LEVEL LOCK HANDLE + 2 HINGES BLACK | 1 | M | |
| 1521 | KIT LEVEL LOCK HANDLE + 3 HINGES BLACK | 1 | N | |
| 1524 | KIT LEVEL LOCK HANDLE + 4 HINGES BLACK | 1 | O | |

| KIT LEVEL CYLINDER HANDLE SILVER | | | | |
|----------------------------------|---|-------|------|--|
| Ref. | Description | Units | Img. | |
| 1549 | KIT LEVEL CYLINDER HANDLE + 2 HINGES SILVER | 1 | G | |
| 1542 | KIT LEVEL CYLINDER HANDLE + 3 HINGES SILVER | 1 | H | |
| 1547 | KIT LEVEL CYLINDER HANDLE + 4 HINGES SILVER | 1 | I | |

| KIT LEVEL CYLINDER HANDLE BLACK | | | | |
|---------------------------------|--|-------|------|--|
| Ref. | Description | Units | Img. | |
| 1559 | KIT LEVEL CYLINDER HANDLE + 2 HINGES BLACK | 1 | P | |
| 1556 | KIT LEVEL CYLINDER HANDLE + 3 HINGES BLACK | 1 | Q | |
| 1557 | KIT LEVEL CYLINDER HANDLE + 4 HINGES BLACK | 1 | R | |

FRA

KIT LEVEL POIGNÉE AVEUGLE SILVER

| Ref. | Description | Unités | Img. |
|------|---|--------|------|
| 1529 | KIT LEVEL POIGNÉE AVEUGLE + 2 CHARNIÈRES SILVER | 1 | A |
| 1532 | KIT LEVEL POIGNÉE AVEUGLE + 3 CHARNIÈRES SILVER | 1 | B |
| 1533 | KIT LEVEL POIGNÉE AVEUGLE + 4 CHARNIÈRES SILVER | 1 | C |

KIT LEVEL POIGNÉE VERROU SILVER

| Ref. | Description | Unités | Img. |
|------|--|--------|------|
| 1509 | KIT LEVEL POIGNÉE VERROU + 2 CHARNIÈRES SILVER | 1 | D |
| 1512 | KIT LEVEL POIGNÉE VERROU + 3 CHARNIÈRES SILVER | 1 | E |
| 1513 | KIT LEVEL POIGNÉE VERROU + 4 CHARNIÈRES SILVER | 1 | F |

KIT LEVEL POIGNÉE CYLINDRE SILVER

| Ref. | Description | Unités | Img. |
|------|--|--------|------|
| 1549 | KIT LEVEL POIGNÉE CYLINDRE + 2 CHARNIÈRES SILVER | 1 | G |
| 1542 | KIT LEVEL POIGNÉE CYLINDRE + 3 CHARNIÈRES SILVER | 1 | H |
| 1547 | KIT LEVEL POIGNÉE CYLINDRE + 4 CHARNIÈRES SILVER | 1 | I |

KIT LEVEL POIGNÉE AVEUGLE NOIR

| Ref. | Description | Unités | Img. |
|------|---|--------|------|
| 1539 | KIT LEVEL POIGNÉE AVEUGLE + 2 CHARNIÈRES NOIR | 1 | J |
| 1541 | KIT LEVEL POIGNÉE AVEUGLE + 3 CHARNIÈRES NOIR | 1 | K |
| 1543 | KIT LEVEL POIGNÉE AVEUGLE + 4 CHARNIÈRES NOIR | 1 | L |

KIT LEVEL POIGNÉE VERROU NOIR

| Ref. | Description | Unités | Img. |
|------|--|--------|------|
| 1519 | KIT LEVEL POIGNÉE VERROU + 2 CHARNIÈRES NOIR | 1 | M |
| 1521 | KIT LEVEL POIGNÉE VERROU + 3 CHARNIÈRES NOIR | 1 | N |
| 1524 | KIT LEVEL POIGNÉE VERROU + 4 CHARNIÈRES NOIR | 1 | O |

KIT LEVEL POIGNÉE CYLINDRE NOIR

| Ref. | Description | Unités | Img. |
|------|--|--------|------|
| 1559 | KIT LEVEL POIGNÉE CYLINDRE + 2 CHARNIÈRES NOIR | 1 | P |
| 1556 | KIT LEVEL POIGNÉE CYLINDRE + 3 CHARNIÈRES NOIR | 1 | Q |
| 1557 | KIT LEVEL POIGNÉE CYLINDRE + 4 CHARNIÈRES NOIR | 1 | R |

DEU

KIT LEVEL VERBORGENER GRIFF SILVER

| Ref. | Beschreibung | Ein. | Bild |
|------|---|------|------|
| 1529 | KIT LEVEL VERBORGENER GRIFF + 2 SCHARNIERE SILVER | 1 | A |
| 1532 | KIT LEVEL VERBORGENER GRIFF + 3 SCHARNIERE SILVER | 1 | B |
| 1533 | KIT LEVEL VERBORGENER GRIFF + 4 SCHARNIERE SILVER | 1 | C |

KIT LEVEL SCHLOSSGRIFF SILVER

| Ref. | Beschreibung | Ein. | Bild |
|------|--|------|------|
| 1509 | KIT LEVEL SCHLOSSGRIFF + 2 SCHARNIERE SILVER | 1 | D |
| 1512 | KIT LEVEL SCHLOSSGRIFF + 3 SCHARNIERE SILVER | 1 | E |
| 1513 | KIT LEVEL SCHLOSSGRIFF + 4 SCHARNIERE SILVER | 1 | F |

KIT LEVEL ZYLINDERGRIFF SILVER

| Ref. | Beschreibung | Ein. | Bild |
|------|---|------|------|
| 1549 | KIT LEVEL ZYLINDERGRIFF + 2 SCHARNIERE SILVER | 1 | G |
| 1542 | KIT LEVEL ZYLINDERGRIFF + 3 SCHARNIERE SILVER | 1 | H |
| 1547 | KIT LEVEL ZYLINDERGRIFF + 4 SCHARNIERE SILVER | 1 | I |

KIT LEVEL VERBORGENER GRIFF SCHWARZ

| Ref. | Beschreibung | Ein. | Bild |
|------|--|------|------|
| 1539 | KIT LEVEL VERBORGENER GRIFF + 2 SCHARNIERE SCHWARZ | 1 | J |
| 1541 | KIT LEVEL VERBORGENER GRIFF + 3 SCHARNIERE SCHWARZ | 1 | K |
| 1543 | KIT LEVEL VERBORGENER GRIFF + 4 SCHARNIERE SCHWARZ | 1 | L |

KIT LEVEL SCHLOSSGRIFF SCHWARZ

| Ref. | Beschreibung | Ein. | Bild |
|------|---|------|------|
| 1519 | KIT LEVEL SCHLOSSGRIFF + 2 SCHARNIERE SCHWARZ | 1 | M |
| 1521 | KIT LEVEL SCHLOSSGRIFF + 3 SCHARNIERE SCHWARZ | 1 | N |
| 1524 | KIT LEVEL SCHLOSSGRIFF + 4 SCHARNIERE SCHWARZ | 1 | O |

KIT LEVEL ZYLINDERGRIFF SCHWARZ

| Ref. | Beschreibung | Ein. | Bild |
|------|--|------|------|
| 1559 | KIT LEVEL ZYLINDERGRIFF + 2 SCHARNIERE SCHWARZ | 1 | P |
| 1556 | KIT LEVEL ZYLINDERGRIFF + 3 SCHARNIERE SCHWARZ | 1 | Q |
| 1557 | KIT LEVEL ZYLINDERGRIFF + 4 SCHARNIERE SCHWARZ | 1 | R |

KLEIN®

KLEIN EUROPE
Edificio KLEIN
Polígono Industrial Can Cuyás
N-150 Km. 1
08110 Montcada i Reixac
Barcelona (Spain)

Tel.: +34 935 760 101
Fax: +34 935 760 109

+Info
klein@klein.es
www.klein.es

Síguenos en redes
Follow us on social media

